



Project: _____

Quantity: _____

Model # : _____

Approval: _____

For Commercial Use Only

3300 Lb. Electric ForkLift Stacker with 98" Lift Height - 115V

STANDARD FEATURES

- Standard 110V Electrical
- Powered dual mast fork stacker
- Maximum fork height: 98"
- 24V / 85 Ah battery
- Polyurethane steering wheels
- 3300 lbs loading capacity
- 45" length forks
- 27" fork outside width
- 2.2 kw DC lifting driving motor
- Anti-slip foldable pedal
- Electromagnetic brake
- Emergency stop button
- Ergonomically handle



USR Brands, Inc.

Phone: 800-764-1172

| www.usrbrands.com

| sales@usrbrands.com

Rev. 08-2022

Page 326



Project: _____

Quantity: _____

Model #: _____

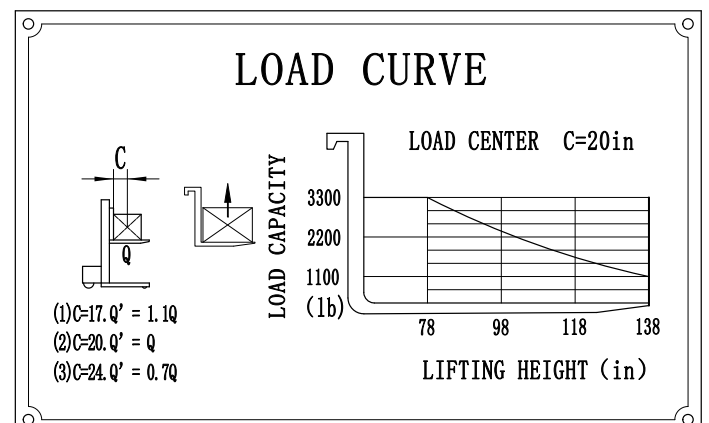
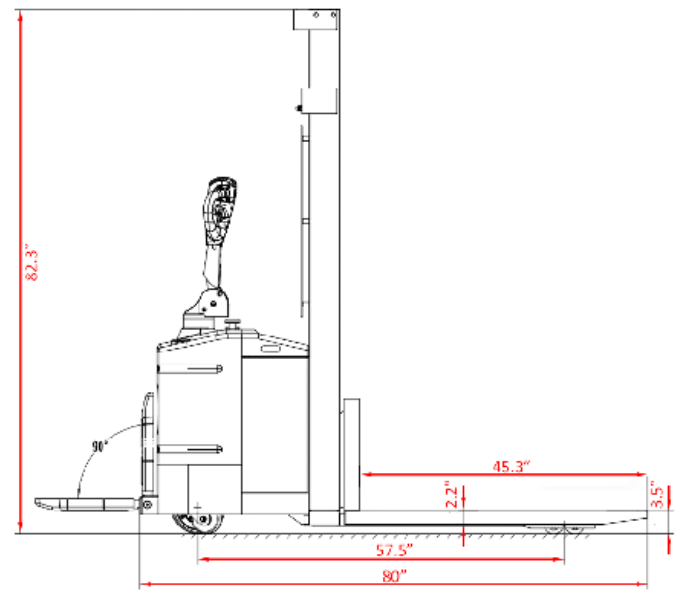
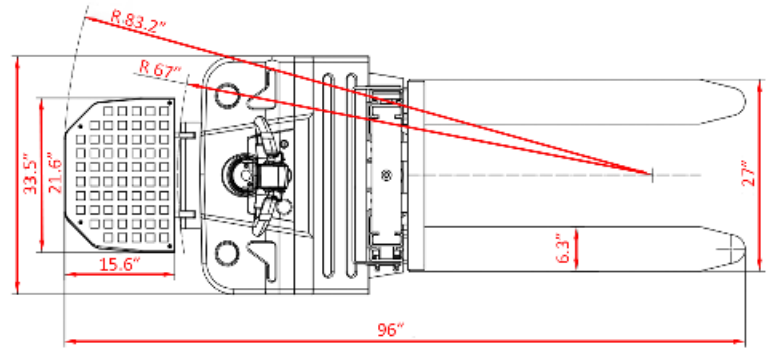
Approval: _____

For Commercial Use Only

TECHNICAL DATA

Model (MFR ITEM #)	HILO-ES (CDD)	Unit
Dive Mode	Electric	/
Driving Mode	Stand/Step	/
Rated Load Capacity	3300	lb.
Load Center Distance	21.6	Inch
Wheel Material	Polyurethane	PU
Front Wheel	Φ3.1 * 2.7	Inch
Rear Wheel	Φ3.3 * 3	Inch
Driving Wheel	Φ8.3 * 2.7	Inch
Max. Lifting Height	98	Inch
Lowered Mast Height	82.3	Inch
Extended Mast Height	120.8	Inch
Fork Length	45.3	Inch
Single Fork Width	6.3	Inch
Overall Fork Width (Fixed)	27	Inch
Lowered Fork Height	3.5	Inch
Overall Width	33.5	Inch
Overall length	97.6 (including 15.6" pedal)	Inch
Turning Radius	67	Inch
Driving Speed. Unladen/Laden	4.5 / 3.5	km/h
Lifting Speed. Unladen/Laden	120 / 100	mm/s
Climbing Gradient. Unladen/Laden	7 / 5	Degree
Brake Mode	Electromagnetic brake	/
Battery Voltage/Rated Capacity	24 / 80	v/ah
Driving Motor (DC)	1.2	kw
Lifting Motor (DC)	2.2	kw
Net Weight	1421	lb.

TECHNICAL DIAGRAM



USR Brands, Inc.

Phone: 800-764-1172

www.usrbrands.com

sales@usrbrands.com

Rev. 08-2022

Page 327