

PRECISIONBREW™ DIGITAL SHUTTLE® BREWERS

Project _____ Date _____ Models **PBIC-330, PBIC-430** Item# _____ Quantity _____



model PBIC-330



model PBIC-430

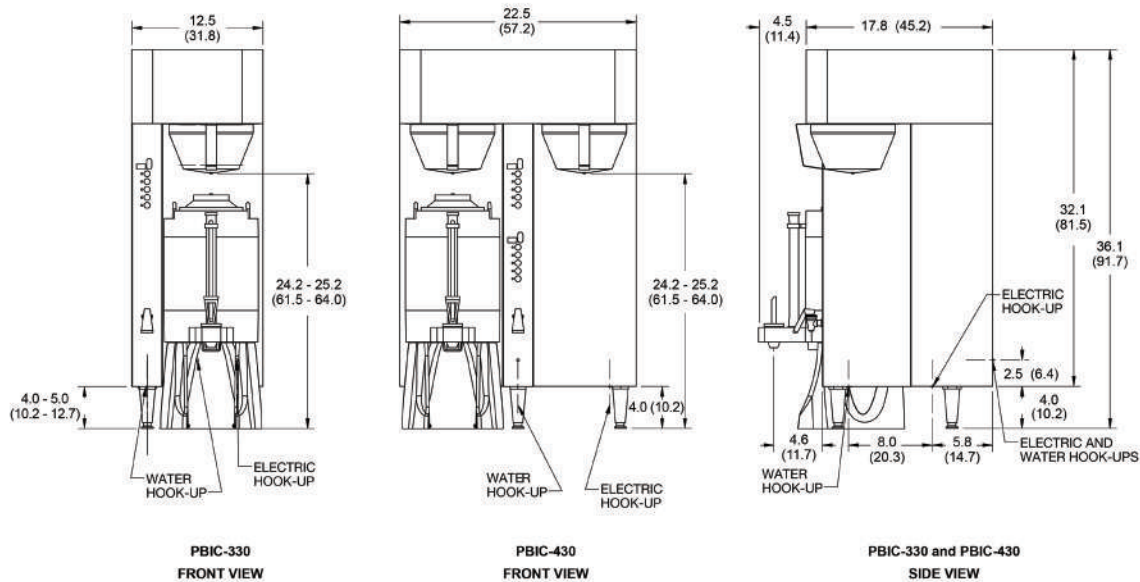
Features

- Brews into included 1.5 gallon (5.7 L) vacuum insulated Shuttle®, stainless steel container with stand. Shuttles® are portable and will maintain hot freshly brewed coffee without additional heat.
- Also able to brew into 1.5 gallon (5.7 L) air gap Shuttles®, or 3.0 L airpots.
- Digitally controlled with PrecisionBrew™ Technology. The brewer will hold the brew temperature to +/- 1°F during the complete brew cycle.
- Many brew variables are programmable: water temperature, brew volume, pulse brewing sequence, bypass percentage, low temp/no brew, drip time, pre-infusion, and lockout, along with a programmable energy-saving 'sleep mode' feature.
- 3 Brew Volumes: from ½ gallon (1.9 L) to 1½ gallons (5.7 L). Each volume can be set by 'teach' mode to eliminate trial-&-error set-up.

Models & Dimensions



PrecisionBrew™ Digital Shuttle® Brewers



measurements in inches [cm]

Specifications

Model	Description	Electrical	Capacity 5 oz. (148 ml) cups per hour	Product Dimensions (H x W X D) (without feet)	Ship Dimensions (H x W X D)	Ship Weight
PBIC-330 (APBIC-330V2)	Single, digitally controlled brewer UL, CUL, CE, and NSF Certifications	120/240V / 6600W 28A / 1 Ph	240V = 460	32" x 12.75" x 17.5" (81 cm x 32 cm x 44 cm)	36" x 16.5" x 22.5" (91 cm x 42 cm x 57 cm)	85 lbs. (38.6 kg)
		120/208V / 5000W 24A / 1 Ph	208V = 385			
PBIC-330 (ABIC-330V2E230)	Single, digitally controlled brewer CE and RoHS Certifications	230V / 6000W 26.4A	384	32" x 12.75" x 17.5" (81 cm x 32 cm x 44 cm)	36" x 16.5" x 22.5" (91 cm x 42 cm x 57 cm)	85 lbs. (38.6 kg)
PBIC-430 (APBIC-430V2)	Twin, digitally controlled brewer UL, CUL, CE, and NSF Certifications	120/240V / 6600W 28A / 1 Ph	240V = 500	32" x 22.5" x 17.5" (81 cm x 57 cm x 44 cm)	36" x 31.5" x 22.5" (91 cm x 80 cm x 57 cm)	145 lbs. (65.8 kg)
		120/208V / 5000W 24A / 1 Ph	208V = 385			
PBIC-430 (ABIC-430V2E230)	Twin, digitally controlled brewer CE and RoHS Certifications	230V / 6000W 26.4A	430	32" x 22.5" x 17.5" (81 cm x 57 cm x 44 cm)	36" x 31.5" x 22.5" (91 cm x 80 cm x 57 cm)	145 lbs. (65.8 kg)

Plumbing: 3/8" (9.5 mm) flare water line at 30-70 psi required.

Electrical: Line cord not included. Optional higher wattage available.

Note: PBIC-330 models brew into one vacuum-insulated VS-1.5S Shuttle with stand (included). PBIC-430 models brew into two vacuum-insulated VS-1.5S Shuttle with stand (included).



GMCW™ 4003 Collins Lane, Louisville, KY 40245 USA

Tel: +1.502.425.4776 / 800.695.4500 (USA & Canada only) • Fax: +1.502.425.4664 • www.gmcw.com • Email: info@gmcw.com