

PRECISIONBREW™ DIGITAL SHUTTLE® BREWERS

Project Date Models **PB-330, PB-430** Item# Quantity



model PB-330



model PB-430

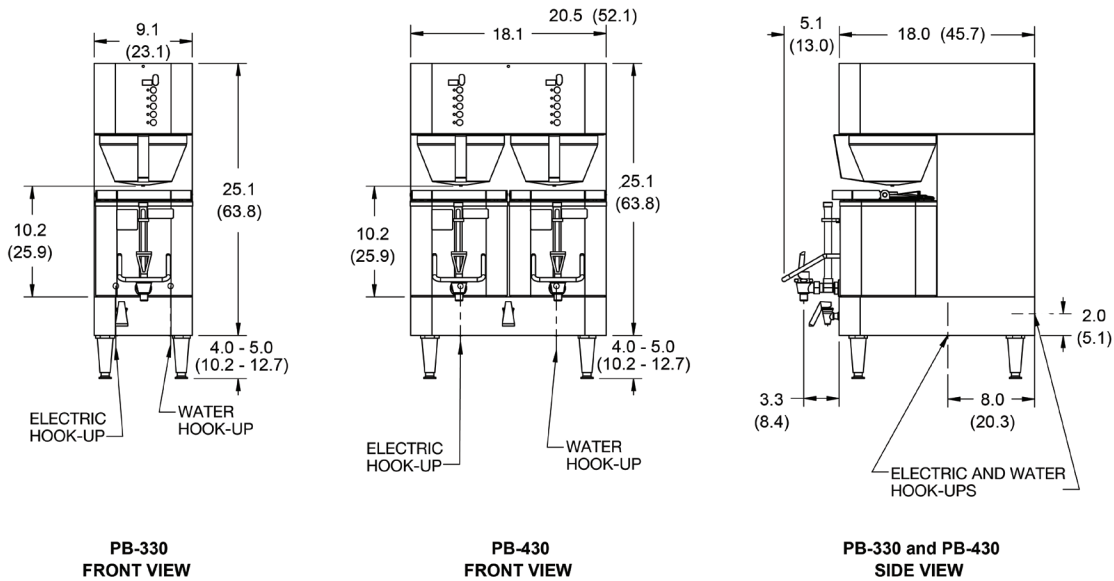
Features

- Brews into included 1.5 gallon (5.7 L) radiant heat air-insulated ACS-1 Shuttle®, stainless steel container. Shuttles® are portable and will maintain hot freshly brewed coffee without additional heat.
- Also able to brew into 1.5 gallon (5.7 L) air gap Shuttles®, or 3.0 L airpots.
- Digitally controlled with PrecisionBrew™ Technology. The brewer will hold the brew temperature to +/- 1°F during the complete brew cycle.
- Many brew variables are programmable: water temperature, brew volume, pulse brewing sequence, bypass percentage, low temp/no brew, drip time, pre-infusion, and lockout, along with a programmable energy-saving 'sleep mode' feature.
- 3 Brew Volumes: from ½ gallon (1.9 L) to 1½ gallons (5.7 L). Each volume can be set by 'teach' mode to eliminate trial-&-error set-up.
- Pulse Brewing – With up to 10 pulses, the operator has complete control over the coffee grounds and water contact time.

Models & Dimensions



PrecisionBrew™ Digital Shuttle® Brewers



Specifications

measurements in inches [cm]

Model	Description	Electrical	Capacity 5 oz. (148 ml) cups per hour	Product Dimensions (H x W X D)	Ship Dimensions (H x W X D)	Ship Weight
PB-330 (APB-330V2)	Single digitally controlled brewer UL, CUL, CE, and NSF Certifications	120/240V / 6600W 28A / 1 Ph 120/208V / 5000W 24A / 1 Ph	240V = 460 208V = 385	25" x 9" x 18" (64 cm x 23 cm x 46 cm)	33" x 11" x 26" (83 cm x 28 cm x 66 cm)	55 lbs. (24.9 kg)
PB-330 (APB-330V2E230)	Single digitally controlled brewer CE and RoHS Certifications	230V / 6000W 26.4A	384	25" x 9" x 18" (64 cm x 23 cm x 46 cm)	33" x 11" x 26" (84 cm x 28 cm x 66 cm)	55 lbs. (24.9 kg)
PB-430 (APB-430V2)	Twin digitally controlled brewer UL, CUL, CE, and NSF Certifications	120/240V / 6000W 25A / 1 Ph 120/208V / 4492W 21.6A / 1 Ph	240V = 500 208V = 385	25" x 18" x 18" (64 cm x 46 cm x 46 cm)	33" x 21" x 24" (83 cm x 53 cm x 61 cm)	100 lbs. (45.4 kg)
PB-430 (APB-430V2E230)	Twin digitally controlled brewer CE and RoHS Certifications	230V / 6000W 26.4A	430	25" x 18" x 18" (64 cm x 46 cm x 46 cm)	33" x 21" x 24" (84 cm x 53 cm x 61 cm)	100 lbs. (45.4 kg)

Plumbing: 3/8" (9.5 mm) flare water line at 30-80 psi required.

Electrical: Line cord not included. Optional higher wattage available.

Note: PB-330 models brew into one radiant heat, air-insulated 1.5 gal. (5.7 L) CS-LL Shuttle (included). PB-430 models brew into two radiant heat, air-insulated 1.5 gal. (5.7 L) CS-LL Shuttles (included).



GMCW™ 4003 Collins Lane, Louisville, KY 40245 USA

Tel: +1.502.425.4776 / 800.695.4500 (USA & Canada only) • Fax: +1.502.425.4664 • www.gmcw.com • Email: info@gmcw.com