

Item#

Project

Date

Models: P200, P300, P400

Models P200, P300, & P400 Brewers



Model P300

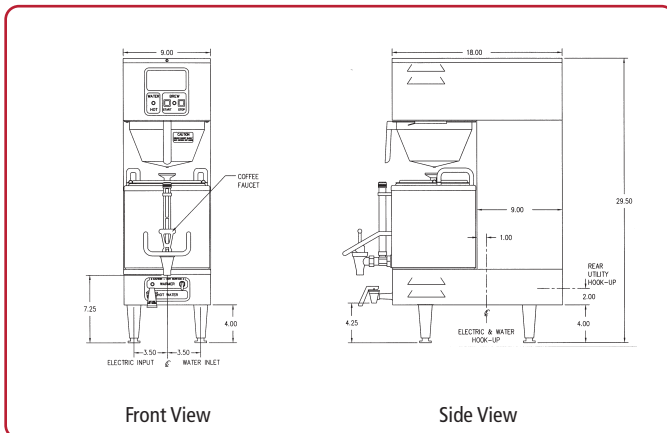
Model P400

Features

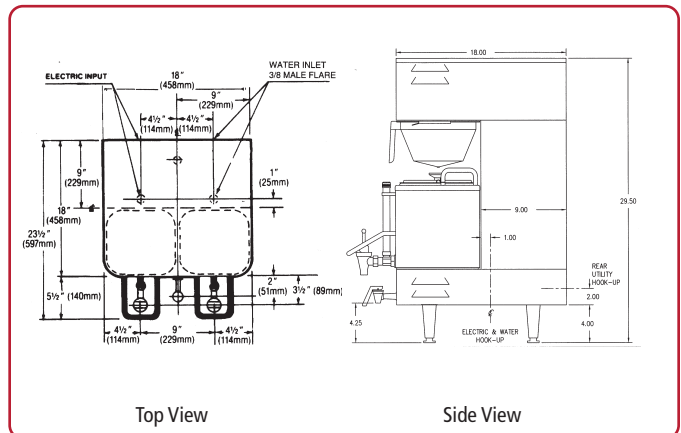
- **P200 Includes** – One single brewer with plastic brew basket, plastic legs, & (1) CS-1 Shuttle®.
- **P300 Includes** – One single brewer with stainless brew basket, stainless legs, & (1) CS-1 Shuttle®.
- **P400 Includes** – One twin brewer with stainless brew baskets, stainless legs, & (2) CS-1 Shuttles®.
- **Compact Size** – The P400 at 18" (45cm) wide & the P200 / P300 at 9" (23cm) wide use minimal counter space.
- Radiant heat, air-insulated, 1-1/2 gal. (5.7L) CS-1 Shuttles® make transporting easy and keep coffee fresh & hot.
- Designed for fast access to components & ease of service.
- Ready to Brew light.

Models & Dimensions

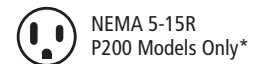
P200 / P300 Single, Shuttle® Coffee Brewer



P400 Twin, Shuttle® Coffee Brewer



Specifications



Model	Description	Dimensions (H x W x D)	Ship Dimensions (H x W x D)	Electrical	Ship Weight
P200(E)	Single Shuttle® brewer with plastic brew basket & plastic legs. (CS-LL Shuttle® included).	28" x 9" x 17" (71 cm x 23 cm x 43 cm)	26" x 12" x 28" (66 cm x 30 cm x 71 cm)	120V, 1750W, 14.6A	55 lbs. (25 kg)
P300(E)	Single Shuttle® brewer with stainless brew basket & stainless legs. (CS-LL Shuttle® included).	28" x 9" x 23.5" (71 cm x 23 cm x 60 cm)	29.5" x 11" x 26" (75 cm x 28 cm x 66 cm)	120/208V, 5000W, 24A 120/240V, 6600W, 28A	55 lbs. (25 kg)
P400(E)	Dual Shuttle® brewer with stainless brew basket & stainless legs. (2 CS-LL Shuttles® included).	28" x 18" x 21" (71 cm x 46 cm x 53 cm)	29.5" x 22" x 26" (75 cm x 56 cm x 66 cm)	120/208V, 5000W, 24A 120/240V, 6600W, 28A	100 lbs. (45 kg)

Plumbing: 1/4" (6.35 mm) flare water line at 30 - 80 psi required. **Electrical:** *Line cord & Nema 5-15P plug included with P200 models only. P300 & P400 line cord not included - must be hard wired. Export voltage available (E models), see International guide. **Brew Capacity:** (Each Shuttle®) P200 / P300 = 1.5 gal. (5.7L) 400 cups per hour. P400 = 1.5 gal. (5.7L) 600 cups per hour. **Listings:** **P200 UL, CUL, UL Sanitation. P300 / P400 UL, NSF, CSA. Contact Grindmaster-Cecilware™ for more information. Specifications subject to improvement or change without notice.

Options

Model	Description
C12	Concealed brew switch.
C30K	Higher support frame for 12" (305mm) faucet clearance - single.
C40K	Higher support frame for 12" (305mm) faucet clearance - twin.
21A	Higher wattage heaters available (P400 only).
47	Low temp, no brew.
ABW-L	Accessory base - electrical plug left.
CS-1	Shuttle® 12 lbs. (5.44kg).

Model	Description
CW-1	Base with warmer - 120V, 1 amp 6 lbs. (2.72kg).
CW-1H	Warmer with an 11" (27.5cm) faucet clearance 6 lbs. (2.72kg).
BB1.SWP	500 paper filter (13" x 5" / 33cm x 13cm).
BB1.SSS	Stainless steel basket.
BB1.5P	Plastic brew basket.
DP-15	Drip pan for P400.
DP-8	Drip pan for P300.
BB2.0SS	Stainless steel brew basket to accommodate 1 lbs. (.45 kg) of coffee.

