

## Portable Coffee Holding Urns



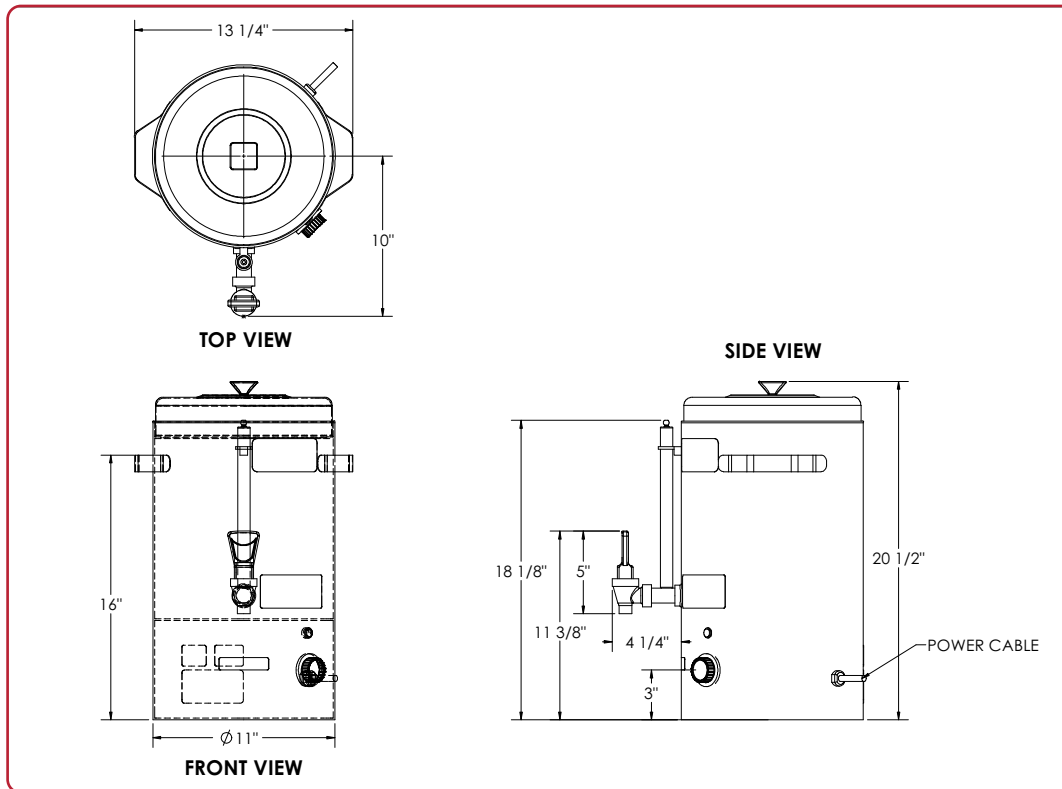
**CS-113**

### Features

- Portable, easily moved to any convenient location.
- Precision thermostat for accurate temperature control.
- Sight glass indicates coffee level.

# Models & Dimensions

## CS-113 & CS-115 Portable Coffee Holding Urns



## Specifications

Model	Description	Dimensions (H x Diameter)	Electrical	Ship Weight
CS-113	3 gallon (11.4L) capacity	21.5" x 11" diameter (54.6 cm x 28 cm)	120V / 1650W / 13.8A 1Phase	15lbs. (6.8 kg)
CS-115	5 gallon (18.9L) capacity	27.5" x 11" diameter (70 cm x 28 cm)	240V / 1650W / 6.9A 1Phase	18 lbs. (8.2 kg)

Contact GMCW™ for more information. Specifications subject to improvement or change without notice.



GMCW™ 4003 Collins Lane, Louisville, KY 40245 USA

Tel: +1.502.425.4776 / 800.695.4500 (USA & Canada only) • Fax: +1.502.425.4664 • www.gmcw.com • Email: info@gmcw.com