

FETCO®

ITEM NUMBER: _____

MODEL LBD-24
SERIES LBD



Patents: 5,943,944 and 6,713,109,

LUXUS® THERMAL DISPENSER - HIGH VOLUME

Each application for a FETCO® High Volume System has unique requirements and logistic considerations. As coffee equipment professionals, our goal is to provide equipment that meets the requirements of each specific site. The capability to brew and transfer summarizes the versatility of the complete line of Brewing Systems. And of course as with all of the FETCO® brewing systems and accessories, ease of operation, ease of cleaning and ease of service are significant features of our systems.

Consultant & Contractor Approvals:

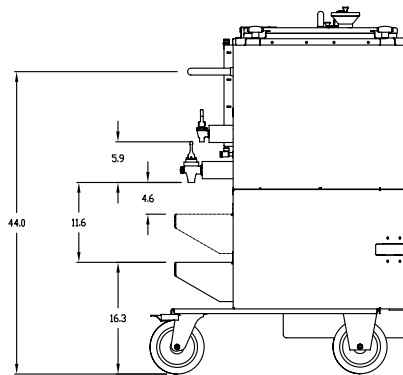
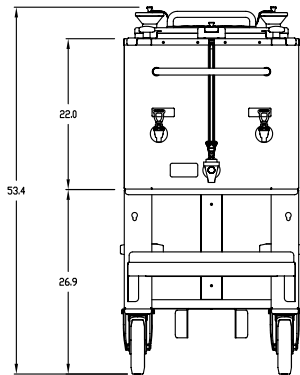
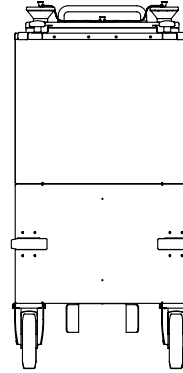
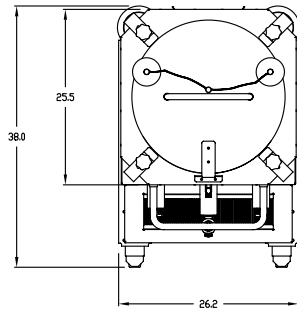
The LUXUS® Thermal Dispenser is totally portable, and requires no electric power. Once filled and capped it goes anywhere...Ready to act as your remote dispensing station wherever needed.

You can prepare them ahead of time and place them where you want them. It is important to note that the LUXUS® Thermal Dispenser can be staff-operated or used as a self-service system.

Printed in USA 2006

FETCO®
600 Rose Road
Lake Zurich, Illinois 60047 USA
Phone: (847) 719-3000
Toll Free: (800) FETCO-99
FAX: (847) 719-3001
sales@fetco.com
http://www.fetco.com

MODEL LBD-24
SERIES LBD DISPENSERS



LBD-24

ITEM / CAPACITY

D022 / 24.0 Gallon Mobile

SHIPMENT DIMENSIONS / WEIGHT

W48 D42 H55 / 290lbs

ACCESSORIES

- A069 Identifier Plate, Acrylic
- A078 Gravity Jug Fill Hose For LBD-24

OPTIONS

- Z005 Color Coded Dispenser Faucet Handles
 For All LBD Orange (Standard Black)

FETCO®
600 Rose Road
Lake Zurich, IL 60047-0429 USA
Phone: (847) 719-3000 Toll Free: (800) FETCO-99
FAX: (847) 719-3001sales@fetco.com <http://www.fetco.com>