



Undercounter dishwasher **CO-500W**

CO-500W Undercounter High Temperature Dishwasher, Glasswasher & Sanitizer



*ENERGY SAVINGS



QUICK VIEW

Crated Dimensions: W x D x H	26" x 29 1/2" x 40 1/2"
Weight : net/crated (lbs)	170 / 181
Voltage	208-230V/1Ph/60Hz
Total Power	3.6 kw
Wash pump (HP)	3/4
Water Consumption Per Rack	0.53 Gal.
Water Consumption Per Hour (Max)	15.9 Gal.

SHORT FORM SPECIFICATION

Fagor EVO Concept dishwasher model CO-500W is a high-temperature unit that sanitizes dishes with hot water instead of chemicals. The unit come with Effi Wash, Effi Silent, Eco Fill, Soft Start and Multi-tension systems.

The unit is constructed with ANSI 304 stainless steel stamped design including wash tank, guides and control panel. IPX4 - Protection against water jets on control panel. Built-in detergent, rinse and drain pumps, rinse aide dispenser, 15-1/4" clearance.

Designed to be used as a Dishwasher, Glasswasher, and Sanitizer.

Each unit includes one (1) flat rack, one (1) peg rack, and one (1) cutlery container.

Fagor's Concept range of dishwashers combines features and benefits that only high-end ranges are offering, becoming in a product easy to use and efficient, with the most effective and robust technology prepared for the strongest usage of the market. Built in durable stainless steel with electromechanical components and simple controls with temperature display for a user-friendly operation.

Production:

30 racks per hour. Rack size 20" x 20"

Functions and Benefits:

- **Effi Wash:** Optimized hydraulic system provides a strong mechanical action combined with the optimum clean water in the tank. Balanced power keeps the perfect sanitation temperature during the cycle of the wash.
- **Effi Silent:** Full double skin provides extra insulation on body and door for noise reduction and thermal efficiency.
- **Soft Start:** Wash-pump power control that prevents wares from damage at the beginning of the washing cycle while assuring a low noise level.
- **Hot water assurance:** Working in series with the booster heater, this relay ensures the time will not advance to the rinse cycle until the sanitation temperature of the rinse water (180 °F) is met.
- **Easy to use:** Simple control panel with temperature display, IPX-4 proof.
- **Versatile:** Easily configure your dishwasher as a glass-washer or sanitizer whenever you need it.

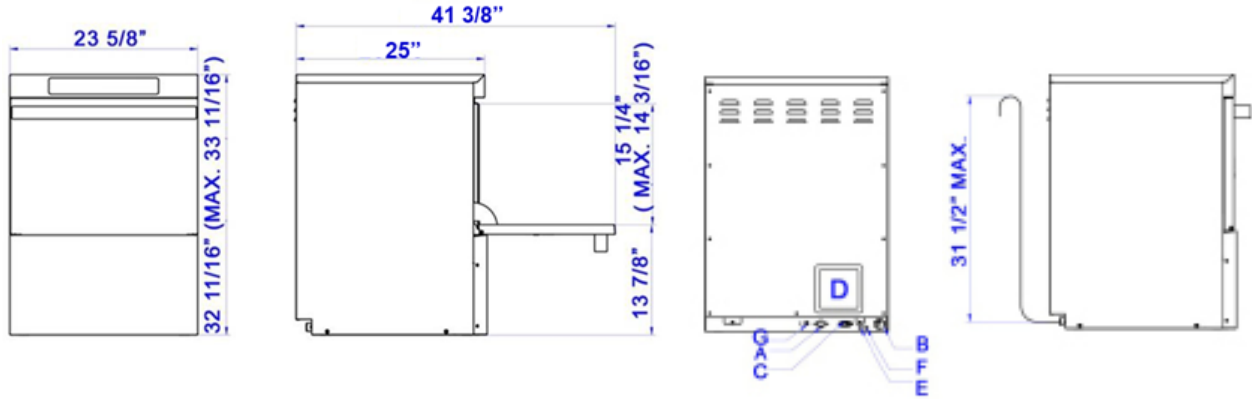
Construction

- **Double skin stainless steel body structure with stamped design** (wash tank, rack guides, control panel.), made to resist strong usage.
- **AISI-304 Stainless steel double wash/rinsing arms and tray filters.**
- Higher clearance: 15 1/4".
- **Rock counterbalanced door.** Double spring and stainless steel hinge system tested to resist the strongest usage. Safe 3 step open system: remove steam (1), check rack (2), and remove/place rack (3).
- **IPX4** - Stronger protection against water hose cleaning and external humidity.
- **Built-in drain pumps, detergent, and rinse aid dispenser.**
- **Built-in pressure gauge and anti-return valve.**

Accessories

- Racks for dishes, glasses and trays
- Cutlery containers and grids
- 6" & 16" high base stands
- Drain tempering valve





A	B	C	D	E	F	G
Water inlet *	Drain hose **	Power supply cable, strain relief ***	Terminal box	Rinse aid inlet	Detergent inlet	Equipotential bond ****
<p>* Water inlet 3/4" female hose connector on 5' long flexible hose supplied with machine. Adaptor for 3/4" female garden hose fitting also supplied. 120°-140°F optimum water temperature; 20-25 psi flow rinse pressure.</p> <p>** Drain 5' long, 1/2" I.D. flexible hose. Maximum 26 3/4" drain height permits indirect connection to drain pump.</p> <p>*** 6' Long power cord supplied with machine (NEMA 6-20P)</p> <p>**** Protection from dangerous potential differences.</p>						

SPECIFICATIONS	CO- 500W	
Wash Cycles (seconds)	120	
Hot water assurance	•	
Manual control panel with digital display	•	
Productivity (*)		
Racks/hour	30	
Dishes/hour	750	
Glasses/hour	1080	
Standard Rack size (inches)	19 3/4 x 19 3/4	
Weight : Net/Crated (lbs)	170 / 181	
Dimensions (inches)		
	Unit	Shipping
Width	23 5/8	26
Depth	25	29 1/2
Height	32 3/4	40 1/2
Useful Loading Height (clearance)	15 1/4	
Capacity (gallons)		
Wash Tank	5.28	
Boiler	1.85	
Water consumption per cycle	0.63	

SPECIFICATIONS	CO-500W	
Wash pump motor (HP)	3/4	
Power (kW) @ 208v.		
Tank heating element	2.29	
Boiler/Booster heating element	2.29	
Wash pump(s)	0.48	
Total power	2.77	
Minimum Working Temperature		
Washing (°F)	150	
Rinsing (°F)	180	
AMP for 60 Hz		
Volts	1 Phase	
208	13.33 Amp	
220	14.1 Amp	
240	15.38 Amp	
Water Protection Rating	IPx4	
Noise level (dBA)	<65	
Detergent & rinse dispenser	•	
Drain pump	•	
Power cord supplied	•	

(*) Assumed 25 dishes and 36 glasses per rack

The manufacturer reserves the rights to modify materials and specifications without notice.