

## DSP3DPS

# HIGH-TEMPERATURE GLASSWASHER WITH DRAIN PUMP

The LAMBER DSP3DPS is a high-performance commercial glasswasher, designed to meet the rigorous demands of professional kitchens, bars, and foodservice establishments. Its compact footprint and durable stainless-steel construction make it an excellent choice for businesses requiring efficiency, reliability, and ease of use.

Equipped with a drain pump, the DSP3DPS ensures efficient water removal, making it ideal for locations where gravity drainage is not possible. Its two-minute wash cycle and high-temperature rinse system guarantee sparkling clean results, while the integrated rinse aid and detergent dispensers optimize washing performance.



### Key Features

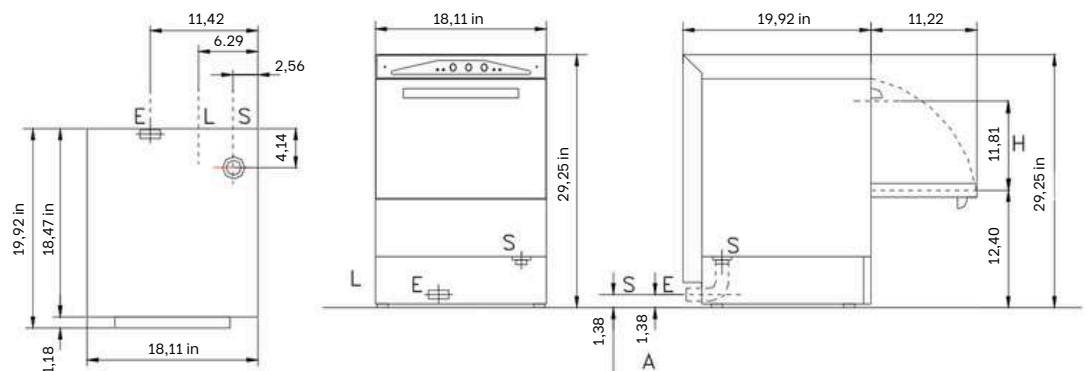
- ✓ Includes a Drain Pump for easy water removal in non-gravity drain environments.
- ✓ Compact 16" × 16" basket size, ideal for bars and small kitchens.
- ✓ Durable stainless-steel 18/10 AISI 304 construction for long-term use.
- ✓ Fast 2-minute wash cycle for high productivity.
- ✓ Integrated wash and rinse temperature thermometers for precise operation.
- ✓ Stainless steel rotating wash and rinse arms for even water distribution.
- ✓ Easy maintenance with an extractable control panel.
- ✓ Rinse aid and detergent dispensers for optimized cleaning.
- ✓ Automatic tank filling for convenience.
- ✓ Door safety device for enhanced protection.
- ✓ Thermocontrol system ensures the correct rinse temperature for every cycle.
- ✓ Security thermostat for overheating protection.
- ✓ UL and UL Sanitation Certified for safety compliance.

### Technical Specifications

**Model:** DSP3DPS  
**Basket Size:** 16" × 16"  
**Power Supply:** 1 phase  
**Voltage:** 208V  
**Frequency:** 60Hz  
**Washing Pump Power:** 210W  
**Wash Tank Heating Elements:** 1000W  
**Rinse Tank Heating Elements:** 3000W  
**Total Power Rating:** 3200W  
**Maximum Current Intensity:** 16A  
**Clearance for Plates:** 11.81"  
**Work Height:** 12.40"  
**Tank Capacity:** 20L  
**Boiler Capacity:** 3L  
**Pump Delivery:** 160L/min  
**Water Consumption Per Cycle:** 2.00L  
**Water Consumption Per Hour:** 60L  
**Required Water Pressure:** 20 ± 5 psi  
**Recommended Water Hardness:** 5 ÷ 10 TH(°F)  
**Rinse Water Temperature:** 179 ÷ 194°F  
**Water Inlet Connection:** 3/4" G  
**Water Outlet Connection:** 1" 1/4 G  
**Net Weight:** 35 kg (35 lbs)  
**Gross Weight:** 40 kg (40 lbs)  
**Packing Size:** 19.68" × 22.05" × 31.00"  
**Noise Level:** <70 dB(A)

### Performance and Efficiency

**Cycle Period:** 2 minutes  
**Capacity:** Up to 30 baskets per hour



|   |                                    |                 |
|---|------------------------------------|-----------------|
| A | Maximum height of drain from floor |                 |
| E | Water inlet                        | 3/4" G          |
| L | Electric input                     | 208/1~60Hz      |
| S | Drain                              | 32 mm - 1"1/4 G |

