

TROLLEY WITH SHELVES

FOR TABLE-TOP MODELS



FEATURES

- Dimensions (l x w x h)
23.6" x 19" x 26.5"
- Weight 17 kg (37.4 lb)
- Full stainless steel
- Swiveling castors with brakes
- Extended mobility
- Shelves to store printer, labels, pouches and other accessories
- Optimal use of space
- Suitable for all Henkelman table-top models.

DESCRIPTION

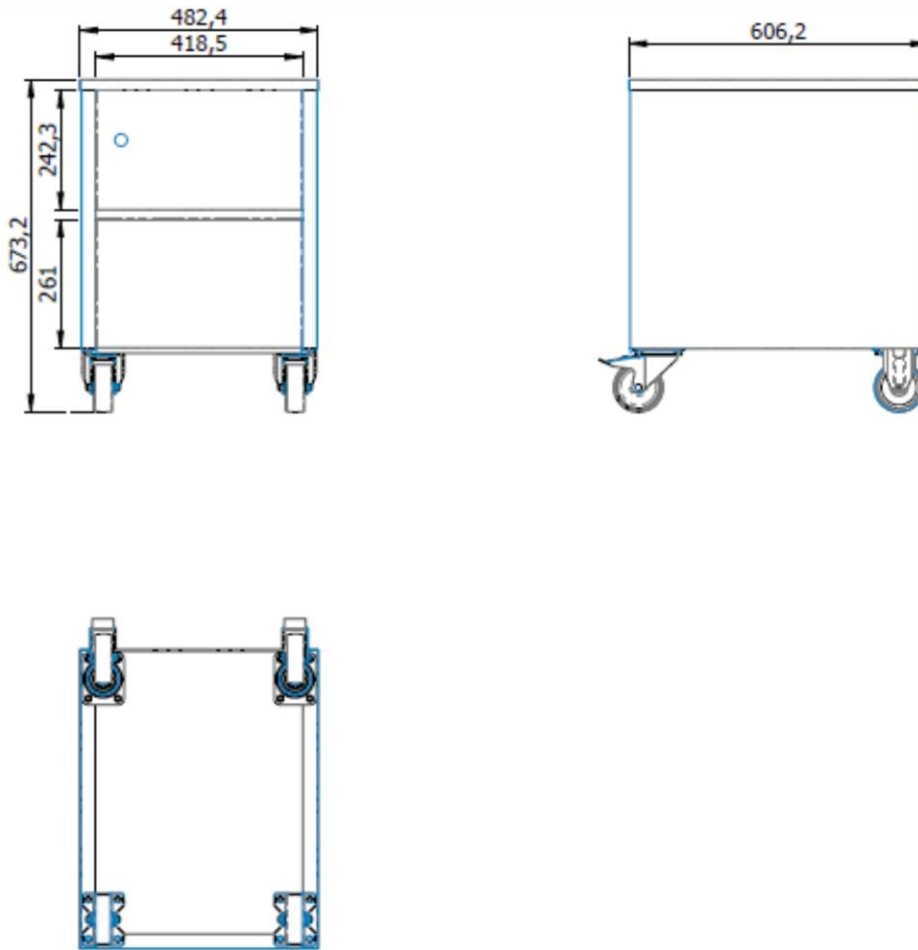
The universal cart is suitable for all Henkelman except the Boxer 52II. It is ideal to increase the machine, to store a printer, accessories, labels your space optimally

ATMOVAC TROLLEY WITH SHELVES – SPECS

TROLLEY WITH SHELVES – SPEC SHEET

DIMENSIONS

In mm



	L x W x H (IN)	Weight (lb)
Dimensions	23.6 x 19 x 26.5	37.4

ATMOVAC

Eurodib
 US 334 Cornelia St #272, Plattsburgh, NY
 CAN 120 rue de la barre, Boucherville, Qc J4B 2X7
 1-888-956-6866 | info@eurodib.com
www.eurodib.com