



**Vegetable Slicer
TrinityPro Combined Vegetable Slicer/
Cutter Mixer 2.7 quarts, copolyester -
Single Speed - US plug**

ITEM # _____

MODEL # _____

NAME # _____

SIS # _____

AIA # _____



602156 (COM26PUS)

Combined Vegetable Slicer and Cutter Mixer 2.7 qt, with transparent copolyester bowl, 1800 rpm, 2 discs included (grater 2mm, slicer 4mm), 750W, USA plug

Short Form Specification

Item No. _____

Combined Vegetable Slicer and Cutter Mixer with 2.7 quarts, transparent copolyester. Vegetable slicer ensures consistent cutting results thanks to the design patented lever-pusher. Constructed in a sturdy plastic material. 1.32 quarts large transparent half-moon hopper. Vegetables can be fed directly into the half moon hopper, a pusher presses the vegetables against the cutting discs ensuring an even cut in minimal time. 2 small hoppers for precise cuts on long vegetables dia. 2 11/64" (55mm) or 1" (25mm). Ideal for grating, slicing/wavy slice and julienne. 2 discs included: slicer 4mm and grater 2mm. A safety micro switch stops the blade when the feed hopper is opened. Cutter Mixer transparent copolyester lid with scraper and central feed hole for adding products in mid-cycle. Microtoothed rotor blade. Angled blades and conical base of the bowl ensure consistent mixing. All ingredients are processed evenly and quickly thanks to a special flow generated inside the bowl.

No-volt release system prevents accidental start of the appliance. All parts in contact with food are removable and Dishwasher safe. Water tight, easy to clean, flat, soft-touch buttons. Single speed 1800 rpm with on/pulse/off function for simple operations. With US plug.

Main Features

- Combined appliance with two functions: vegetable slicer and cutter mixer.
- Equipped with vegetable slicer attachment for slicing, grating, shredding (julienne) as well as dicing and French fries cutting.
- Cutter mixer and emulsifier function included, for fast chopping, mixing, mincing, griding, liquidizing and kneading.
- Equipped with half moon hopper (1.32 qt capacity) and 2 small round feed chutes: 1" (25mm) and or 2 11/64" (55mm), for precise slicing of long shaped vegetables.
- Uniform cuts and maximized load capacity, thanks to the design patented lever-pusher.
- Large output chute for efficient ejection. Fits up to 7 3/4" high standard kitchen containers (like GN) under the output chute.
- Continuous feed model.
- Pulse function for quick and precise slicing and grating.
- Ergonomical frontal lever, suitable for left handed and right handed operators.
- Vegetable slicer blade stops when lever pusher is lifted for operator safety.
- Model includes 2 discs: 5/64" (2mm) grater, 5/32" (4mm) slicer.
- Optional discs available of various sizes for slicing, grating and shredding.
- Bowl/lid scraper included for uniform smooth results (emulsifying) and continuous working.
- Transparent lid, with funnel shaped hole, to add ingredients during use.
- All ingredients are processed evenly and quickly thanks to a special movement generated inside the bowl.
- Pulse function to coarse chopping.
- Easy to clean and watertight control panel with on/off button and pulse function.
- All parts in contact with food are removable without the use of tools, completely dismountable and dishwasher safe.
- Productivity: up to 100 settings per service for vegetable slicer, up to 50 settings per service for cutter mixer function.
- ErgoCert 4-star certification for ergonomic design and ease of use.
- Includes 2.7 quart transparent bowl with micro-toothed blades rotor.

APPROVAL: _____



Experience the Excellence
www.electroluxprofessional.com
foodservice@electrolux.com

Construction

- 1 speed: 1800 rpm.
- Motor power: 1 HP / 750 Watt.
- Transparent copolyester bowl
- Microtoothed blades in 420 AISI stainless steel and ergonomic scraper in high resistant composite material to ensure consistent mixing.
- IPX5 (IP55) flat panel touch-control, watertight panel.
- Main switch ON/OFF on the back of the appliance.
- Asynchronous industrial motor with no brushes for high reliability and quiet functioning, stainless steel motor shaft.
- Food safety assured thanks to BPA-free materials and compliance with NSF standards.
- Product safety in accordance with international and UL standards.

Included Accessories

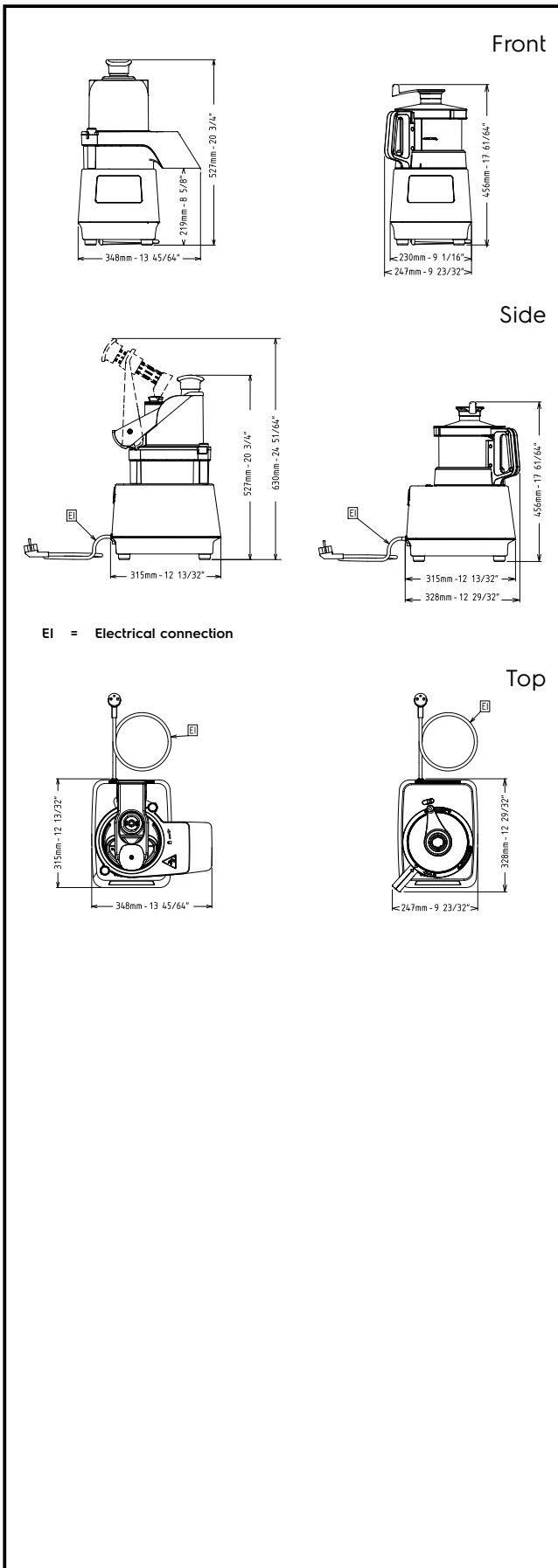
- 1 of TRANSPARENT LID FOR 2.7 QT CUTTER MIXER BOWL PNC 650117
- 1 of STAINLESS STEEL GRATING DISC 5/64" (2 MM) PNC 650198
- 1 of FINE SERRATED BLADE ROTOR FOR 2.7QT CUTTER MIXER PNC 650226
- 1 of TRANSPARENT COPOLYESTER BOWL FOR 2.7QT CUTTER MIXER PNC 650229
- 1 of SCRAPER FOR 2.7QT CUTTER MIXER BOWL PNC 650230
- 1 of EJECTOR FOR VEGETABLE SLICER PNC 650232
- 1 of STAINLESS STEEL SLICING DISC 5/32" (4 MM) PNC 650237

Optional Accessories

- Cleaning tool for TRS, TRK & TR210 3/16"-5/16"-3/8" (5-8-10 mm) dicing grids PNC 650110
- TRANSPARENT LID FOR 2.7 QT CUTTER MIXER BOWL PNC 650117
- TRANSPARENT LID (WITHOUT SEALING) FOR 3,8QT CUTTER MIXER BOWL PNC 650118
- 3 DISCS SET TRK1 (5/64" SLICER, 3/16" SLICER, 1/8" GRATER) PNC 650196
- 6 DISCS SET (5/64" SLICING, 3/16" SLICING, 1/8" GRATING, 9/32" GRATING, 3/8" SLICER, 3/8"x3/8" GRID) PNC 650197
- STAINLESS STEEL GRATING DISC 5/64" (2 MM) PNC 650198
- STAINLESS STEEL GRATING DISC 1/8" (3 MM) PNC 650199
- STAINLESS STEEL GRATING DISC 5/32" (4 MM) PNC 650205
- STAINLESS STEEL GRATING DISC 9/32" (7 MM) PNC 650207
- PARMESAN DISC PNC 650208
- STAINLESS STEEL JULIENNE DISC 5/64" (2 MM) PNC 650209

- STAINLESS STEEL JULIENNE DISC 5/32" (4 MM) PNC 650210
- STAINLESS STEEL JULIENNE DISC 5/16" (8 MM) FOR FRENCH FRIES PNC 650211
- STAINLESS STEEL SLICING DISC 1/32" (1 MM) PNC 650213
- STAINLESS STEEL SLICING DISC 5/64" (2 MM) PNC 650214
- STAINLESS STEEL SLICING DISC 1/8" (3 MM) PNC 650215
- STAINLESS STEEL SLICING DISC 3/16" (5 MM) PNC 650216
- STAINLESS STEEL SLICING DISC 1/4" (6 MM) PNC 650217
- STAINLESS STEEL WAVY SLICING DISC 1/8" (3 MM) PNC 650218
- STAINLESS STEEL WAVY SLICING DISC 3/16" (5 MM) PNC 650219
- ALUMINUM SLICING DISC 5/16" (8 MM) PNC 650220
- ALUMINUM SLICING 3/8" (DISC 10 MM) PNC 650221
- DICING GRID 5/16"x5/16" (8x8 MM) PNC 650222
- DICING GRID 3/8"x3/8" (10X10 MM) PNC 650223
- DICING KIT 5/16" - ALUMINUM SLICER 5/16", GRID 5/16"x5/16" (8X8MM) PNC 650224
- DICING KIT 3/8" - ALUMINUM SLICER 3/8", GRID 3/8"x3/8" (10X10 MM) PNC 650225
- FINE SERRATED BLADE ROTOR FOR 2.7QT CUTTER MIXER PNC 650226
- SMOOTH BLADE ROTOR FOR 2.7QT CUTTER MIXER PNC 650227
- STAINLESS STEEL BOWL FOR 2.7QT CUTTER MIXER PNC 650228
- TRANSPARENT COPOLYESTER BOWL FOR 2.7QT CUTTER MIXER PNC 650229
- SCRAPER FOR 2.7QT CUTTER MIXER BOWL PNC 650230
- STAINLESS STEEL BOWL FOR 2.7QT CUTTER MIXER, FINE SERRATED ROTOR, LID WITH SCRAPER PNC 650231
- EJECTOR FOR VEGETABLE SLICER PNC 650232
- FINE SERRATED BLADE ROTOR FOR 3.8QT CUTTER MIXER PNC 650233
- SMOOTH BLADE ROTOR FOR 3.8QT CUTTER MIXER PNC 650234
- STAINLESS STEEL BOWL FOR 3.8QT CUTTER MIXER PNC 650235
- SCRAPER FOR 3.8QT CUTTER BOWL PNC 650236
- STAINLESS STEEL SLICING DISC 5/32" (4 MM) PNC 650237





Electric

Supply voltage:	602156 (COM26PUS)	115 V/1N ph/60 Hz
Electrical power, max:		0.75 kW
Plug type:		USA NEMA 5-15P

Key Information:

Capacity:	2.6 kg
External dimensions, Width:	13 11/16" (348 mm)
External dimensions, Depth:	12 15/16" (328 mm)
External dimensions, Height:	20 3/4" (527 mm)
Shipping width:	24 13/16" (630 mm)
Shipping depth:	16 5/16" (415 mm)
Shipping height:	20 7/8" (530 mm)
Shipping weight:	46 lbs (20.8 kg)
Approvals	ErgoCert 4*

