



# BOTTLE COOLERS



Thermometer



Bottle opener



DHBC50 / DHBC65



DHBC36



## PRODUCT FEATURES

- Equipped with electronic controls, users can adjust the temperature from 33 to 38 degrees Fahrenheit
- Heavy duty Cubigel compressor with **environmentally friendly R290 refrigerant**
- Easy glide stainless steel lid(s) with handle(s)
- Bottle opener & cap catcher standard
- Wire dividers standard
- Pre-installed casters
- Lid lock(s) standard



## TECHNICAL SPECIFICATIONS

Voltage/Frequency	110V/60Hz
Refrigerant	R290
Type of Defrost	Automatic
Interior Material	Stainless Steel
Exterior Material	Stainless Steel
Temperature Range °F	33 ~ 38°
Compressor Power (HP)	1/5
Nema Config.	NEMA5-15P

### Each model can hold up to:

	12-oz. bottles	12-oz. cans
DHBC36	11.5 cases	15.6 cases
DHBC50	17 cases	23 cases
DHBC65	22.5 cases	30.6 cases



## HIGH QUALITY STAINLESS STEEL & ROBUST DESIGN



Los Angeles | San Francisco | Dallas  
Houston | Florida | Chicago | New Jersey

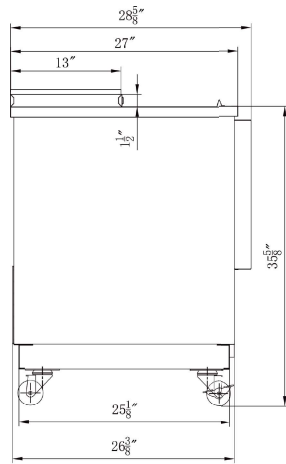
1-800-931-8628

@ info@dukersusa.com

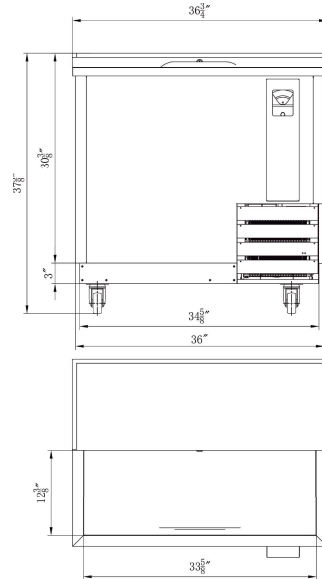
www.DukersUSA.com

# DETAILS & SPECIFICATIONS

Side View

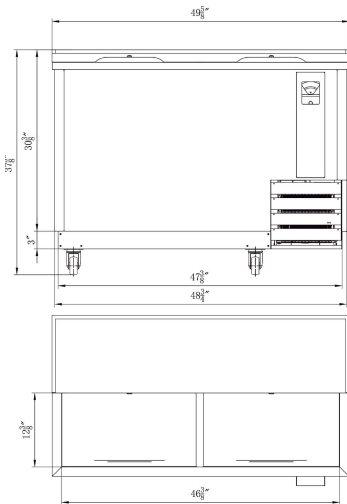


DHBC36  
Front View



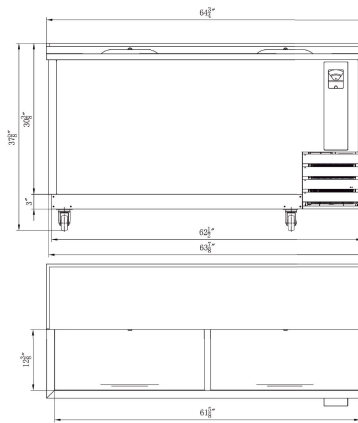
Top View

FDHBC50  
Front View



Top View

DHBC65  
Front View



Top View



115/60/1  
NEMA-5-15P



Model	Bottle Capacity (# bottles)	External Dimensions (inches)			External Dimensions (inches)			Temperature Range °F	Volume		Electric Current (A)	Power (W)	Net Weight (Kg)	Gross Weight (Kg)	40FT (PCS)
		W	D	H	W	D	H		L	cu.ft					
DHBC36	278	36 6/8"			38 3/8"			33~41°F	223	7 7/8"	2.00	250	70	85	56
DHBC50	410	49 5/8"	28 5/8"	37 5/8"	51 1/8"	31 7/8"	41"		326	11 1/2"	2.20	260	80	99	44
DHBC65	542	64 6/8"			66 3/8"				448	15 5/6"	2.40	280	100	120	28

\* All measures are presented in inches and pounds



Los Angeles | San Francisco | Dallas  
Houston | Florida | Chicago | New Jersey

1-800-931-8628

info@dukersusa.com

www.DukersUSA.com