



Item # \_\_\_\_\_  
 Qty # \_\_\_\_\_  
 Model # \_\_\_\_\_  
 Project # \_\_\_\_\_



**DUKERS**  
 Quality Commercial Refrigeration



# ELECTRIC FRYER

## DCF15ED 2 baskets / 7L

High efficiency hotline, fast heating speed, uniform temperature, and energy saving.



Oil tank



Fryer Baskets



Knobs



### PRODUCT DESCRIPTION

- ✦ The furnace body is made of stainless steel, and the oil basin is thickened stainless steel, resulting in a robust structure that boasts exceptional durability.
- 📏 The whole machine design is novel, reasonable structure and convenient operation.
- 👤 Humanized cooking, easy and comfortable.
- 👉 The handles are designed to remain cool to the touch, preventing burns and providing a comfortable grip. Additionally, the detachable parts make cleaning effortless.
- 🌡️ The thermostat is designed with a power button switch to extend its lifespan, as well as automatic heating shut-off when the desired temperature is attained, and automatic restart when the temperature falls below the set point.



### HIGH QUALITY STAINLESS STEEL & ROBUST DESIGN

| FRYER MODEL | DIMENSION |           |           |
|-------------|-----------|-----------|-----------|
|             | Width     | Depth     | Height    |
| DCF15ED     | 25 3/4 in | 18 5/8 in | 12 1/4 in |

\* All measures are presented in Inches



Los Angeles | San Francisco | Dallas  
 Houston | Florida | Chicago | New Jersey

1-800-931-8628

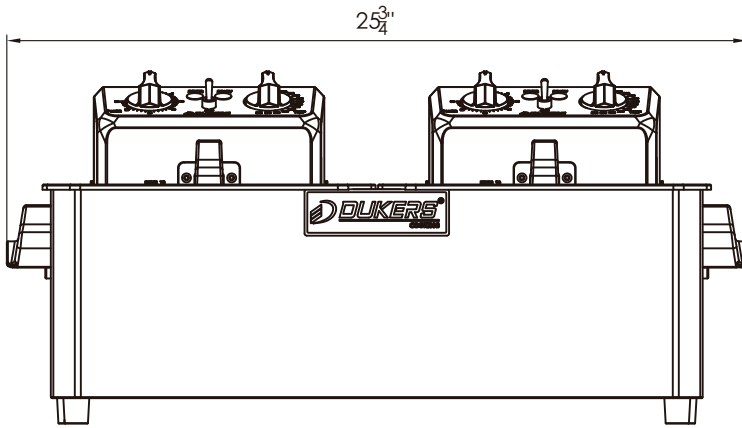
@ info@dukersusa.com

www.DukersUSA.com

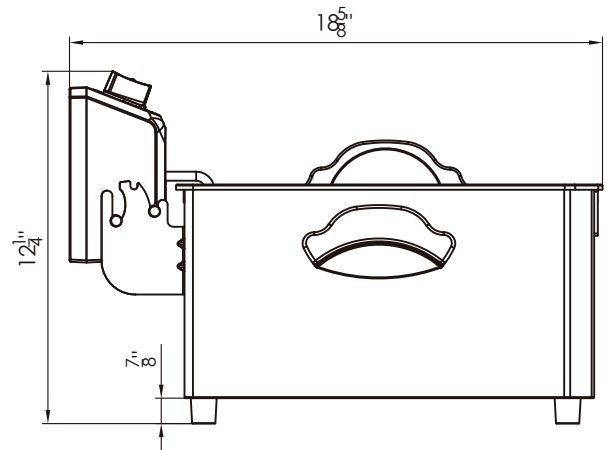
# DETAILS & SPECIFICATIONS

## ELECTRIC FRYER DCF15ED

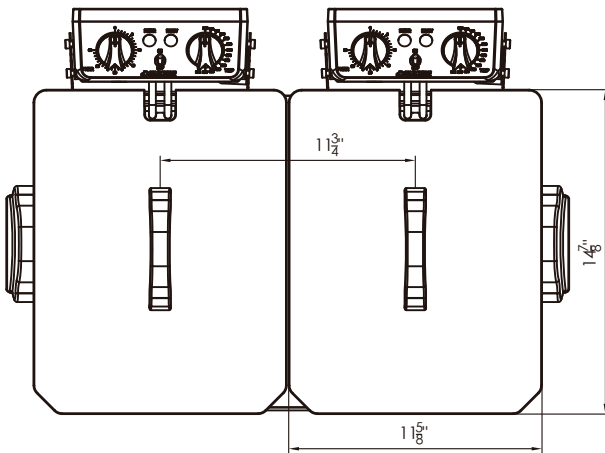
Front View



Side View



Top View



### DCF15ED

|                       |               |
|-----------------------|---------------|
| BASKET SIZE           | 11"x9"x4 3/5" |
| NUMBER OF BOXES       | 2             |
| CYLINDER CAPACITY (L) | 7L+7L         |
| VOLTAGE (V)           | AC208         |
| POWER (W)             | 2@3000W       |
| NEMA (Plug Type)      | 6-20P         |
| CURRENT (A)           | 2@14.4A       |

| Model   | Packaging Dimensions (inches) |         |         | Net Weight (lbs) | Ship Weight (lbs) |
|---------|-------------------------------|---------|---------|------------------|-------------------|
|         | W                             | D       | H       |                  |                   |
| DCF15ED | 28 1/8"                       | 21 3/8" | 14 3/8" | 29.8             | 35                |



Los Angeles | San Francisco | Dallas  
Houston | Florida | Chicago | New Jersey

1-800-931-8628

@ info@dukersusa.com

www.DukersUSA.com