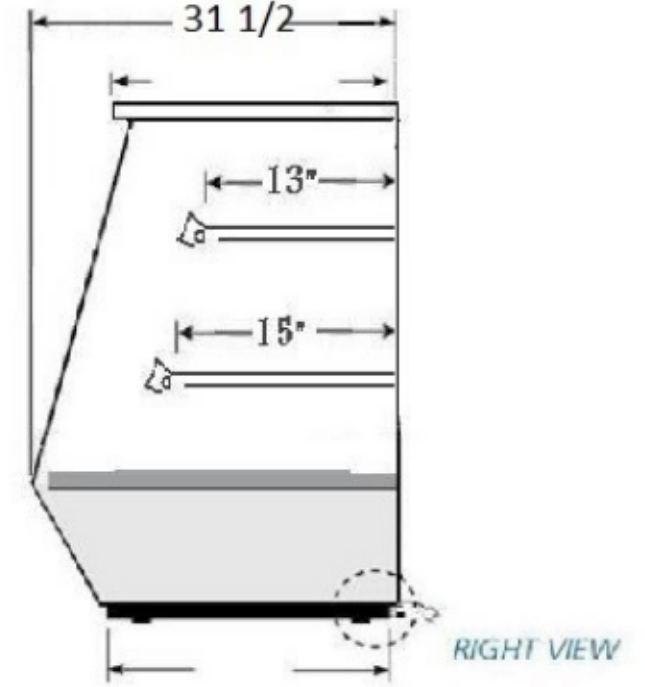
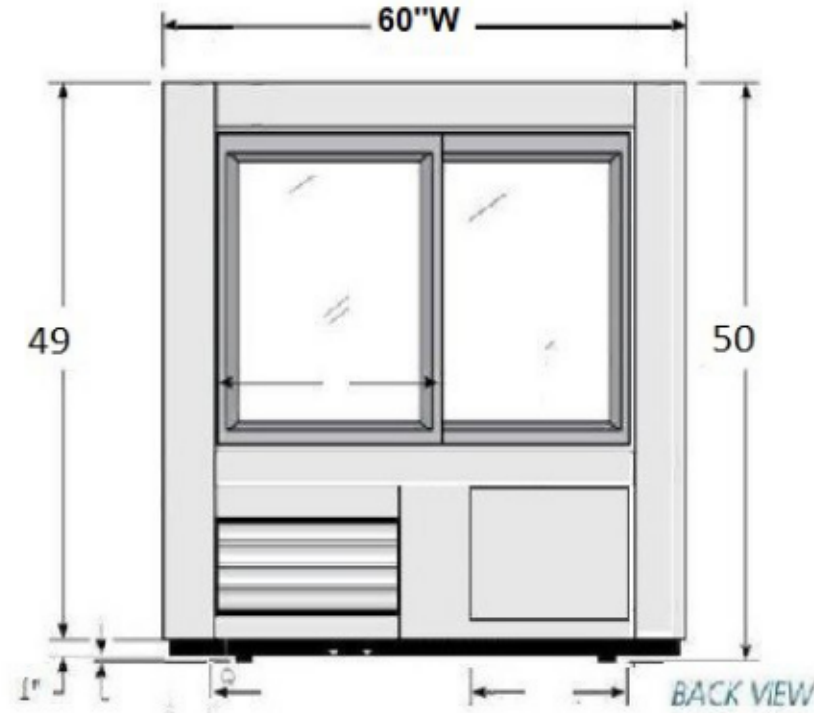
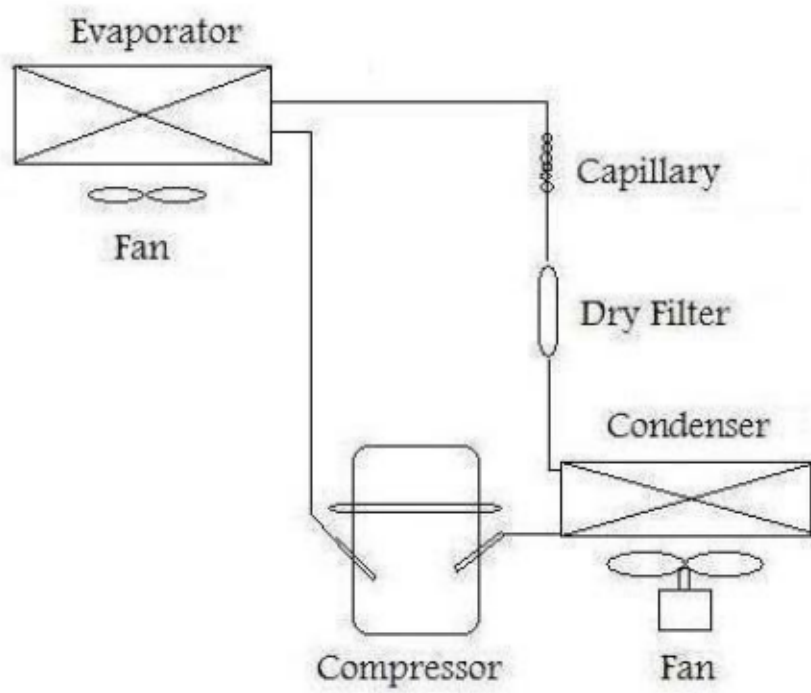


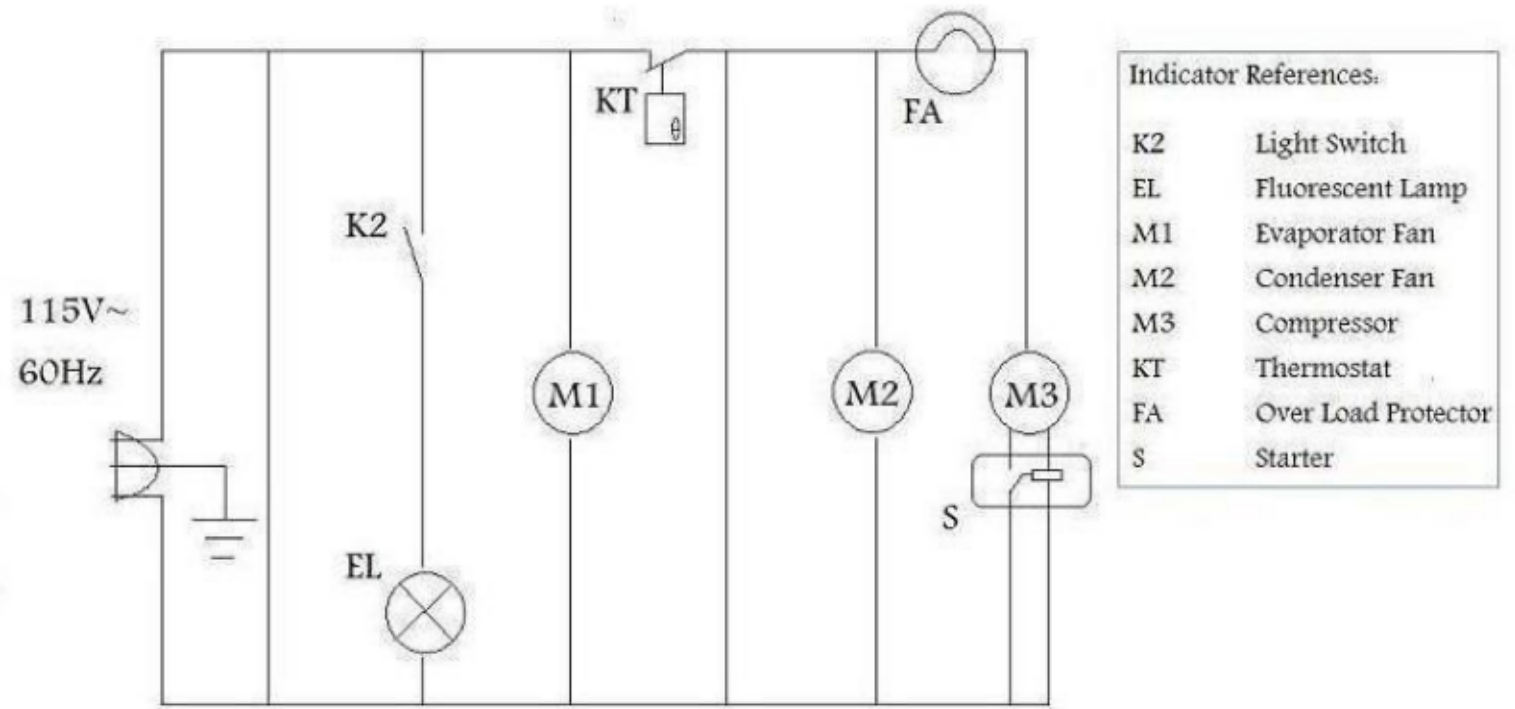
# C · U · S · T · O · M



Model: HDCSG60 Plan View



Working Principle Diagram



Circuit Diagram (Above)

Indicator References.	
K2	Light Switch
EL	Fluorescent Lamp
M1	Evaporator Fan
M2	Condenser Fan
M3	Compressor
KT	Thermostat
FA	Over Load Protector
S	Starter

† Compressor with R-134A Refrigerant

Model	Doors	Capacity (Cu. Ft.)	Shelves	Cabinet Dimensions (inches)			HP	Voltage	Amps	NEMA Config.	Cord Length (total ft.)	Crated Weight (lbs.)
				L	D†	H*						
<b>HDCSG60</b>	5		2	<b>60</b>	31 1/2	50	1/3	115/60/1	<b>9</b>	5-15P ▲	<b>6</b>	<b>550</b>