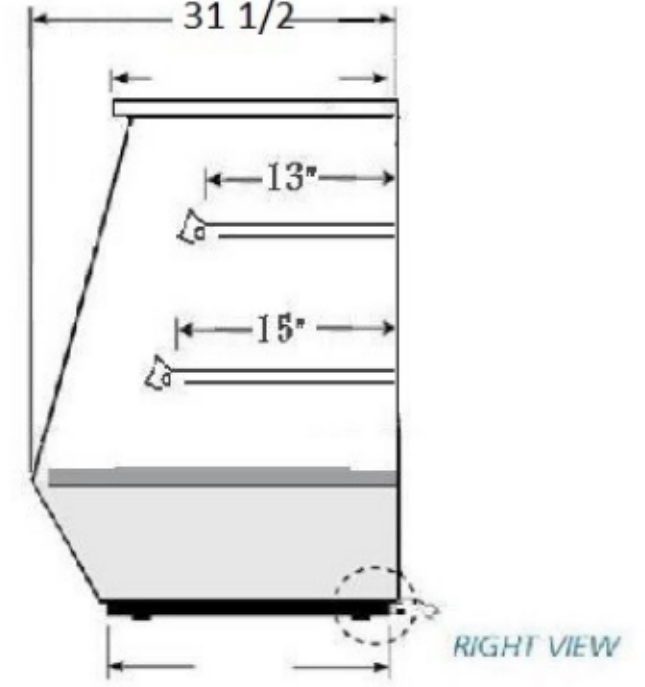
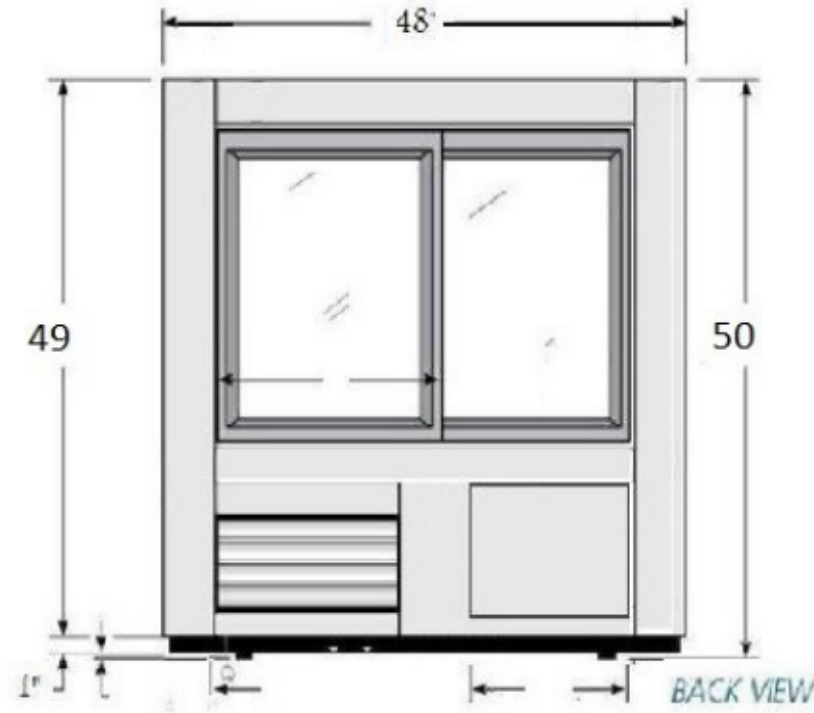
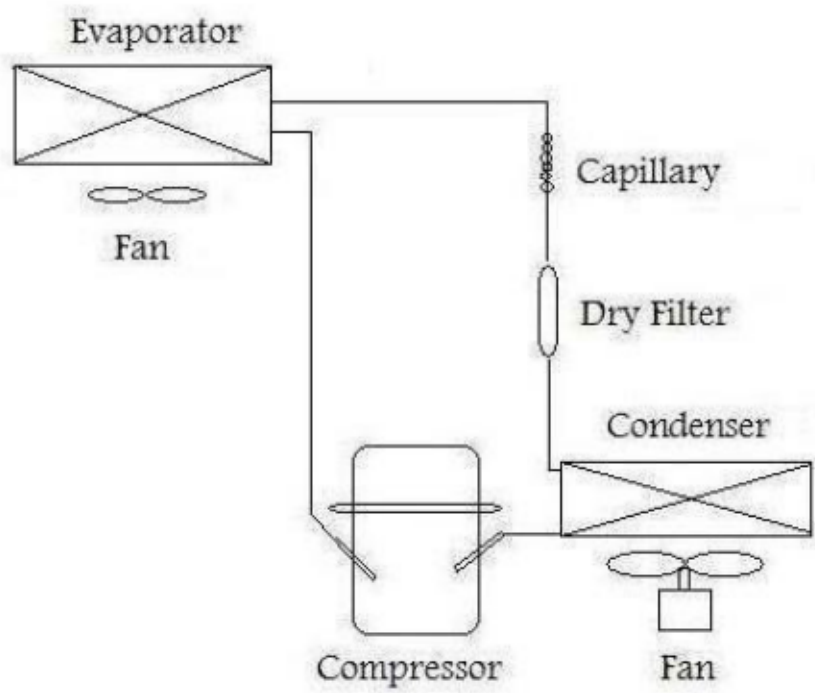


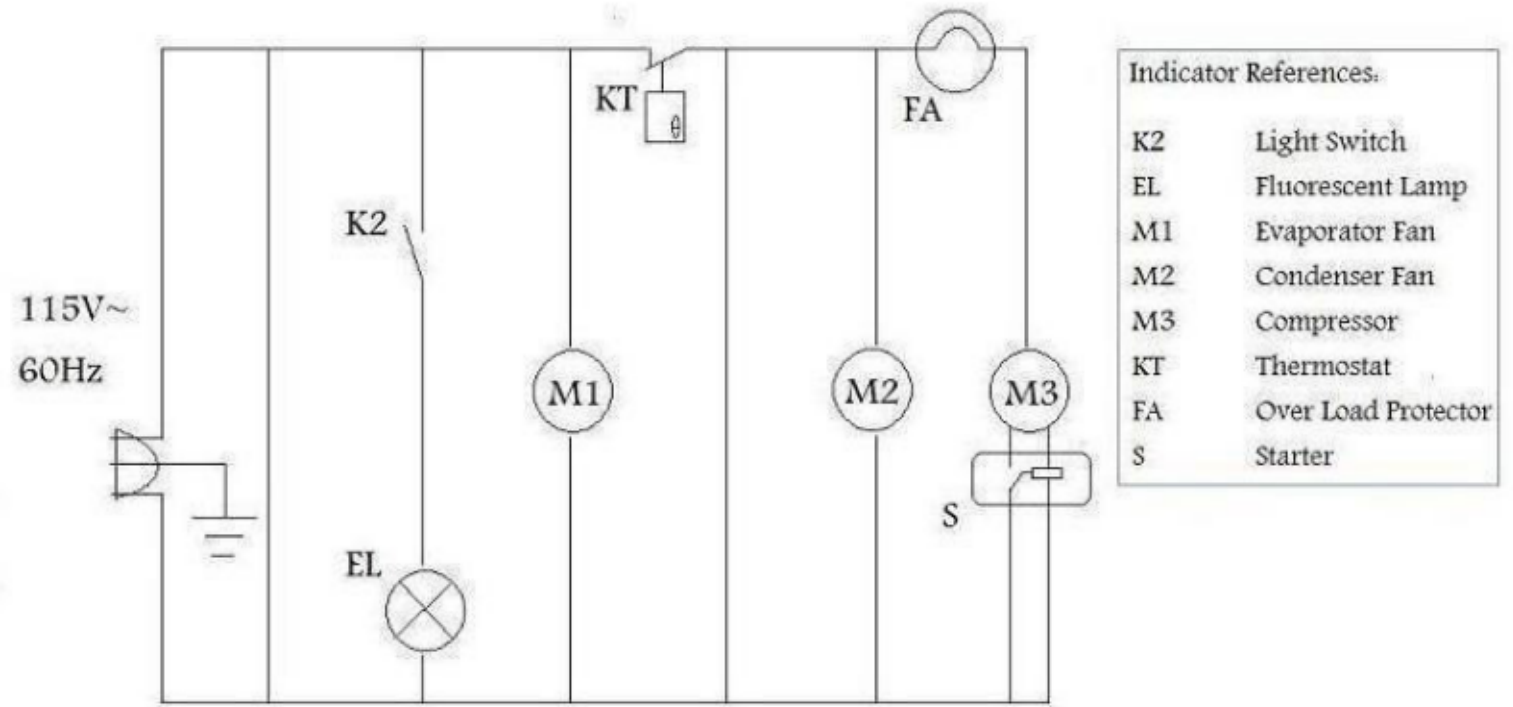
# C · U · S · T · O · M



Model HDCSG48 Plan View



Working Principle Diagram



Circuit Diagram (Above)

† Compressor with R-134A Refrigerant

Model	Doors	Capacity (Cu. Ft.)	Shelves	Cabinet Dimensions (inches)			HP	Voltage	Amps	NEMA Config.	Cord Length (total ft.)	Crated Weight (lbs.)
				L	D†	H*						
HDCSG48	5		2	48	31 1/2	50	1/3	115/60/1	7	5-15P ▲	6	450