

Project:	Quantity:
Model #:	Approval:

For Commercial Use Only

SG-Series Framed Display Case, Slanted End, Sneeze Guard with Shelf



FEATURES

- ▶ Sneeze guard with frame
- ▶ Slanted end
- ▶ Employee service (Employee serves customer food)
- ▶ Sturdy construction
- ▶ Stainless steel and glass material
- ▶ Polished 1/4" glass
- ▶ (1) x 8" adjustable shelf included
- ▶ Brackets for shelf included
- ▶ "L" shape bracket with screw holes for platform attachment (Drill screws are not included)

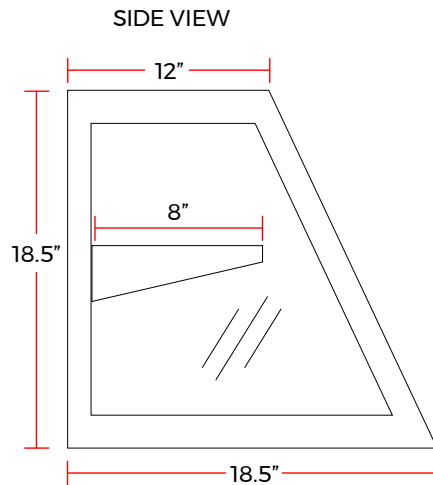
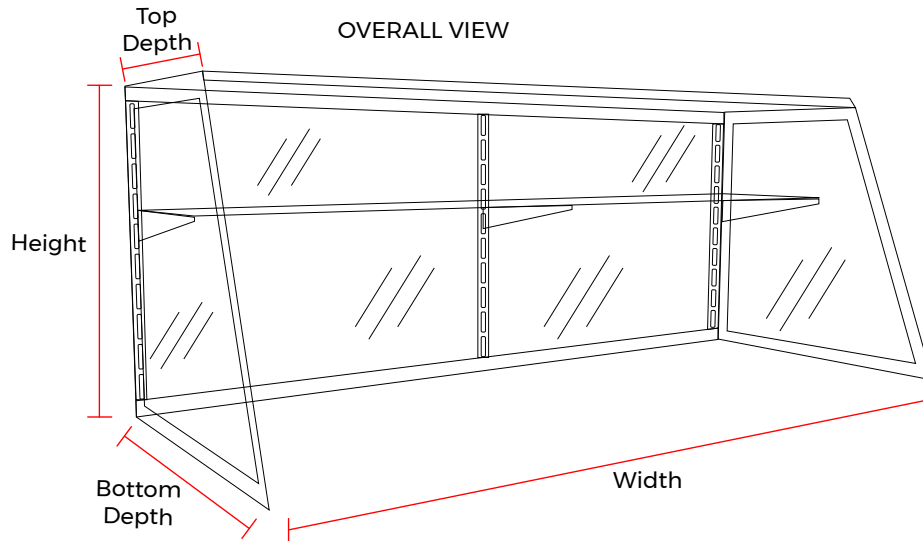
TECHNICAL DATA

Model	Dimensions	Top Dimension	End / Side	Material	Shelves	Serving
SG24	24"W x 18.5"D x 18.5"H	12"D	Slanted	Steel, Glass	(1) x 8"D	Employee Service
SG36	36"W x 18.5"D x 18.5"H	12"D	Slanted	Steel, Glass	(1) x 8"D	Employee Service
SG48	48"W x 18.5"D x 18.5"H	12"D	Slanted	Steel, Glass	(1) x 8"D	Employee Service
SG60	60"W x 18.5"D x 18.5"H	12"D	Slanted	Steel, Glass	(1) x 8"D	Employee Service
SG72	72"W x 18.5"D x 18.5"H	12"D	Slanted	Steel, Glass	(1) x 8"D	Employee Service
SG84	84"W x 18.5"D x 18.5"H	12"D	Slanted	Steel, Glass	(1) x 8"D	Employee Service
SG96	96"W x 18.5"D x 18.5"H	12"D	Slanted	Steel, Glass	(1) x 8"D	Employee Service
SG120	120"W x 18.5"D x 18.5"H	12"D	Slanted	Steel, Glass	(1) x 8"D	Employee Service

Project:	Quantity:
Model #:	Approval:

For Commercial Use Only

DIAGRAM



WARRANTY

Custom Glass products are backed by a 1 year manufacturer warranty. The unit itself and parts within are guaranteed against manufacturing defects for a period of 1 year. Glass due to its fragile nature, is not included under warranty coverage. Always inspect your delivery for freight damage before you accept it. Freight damage will not be considered a manufacturing defect and should be refused or remedied through a claim with the carrier.

