

# SP SERIES FROZEN LED UV

## GRANITA AND COLD CREAM DISPENSERS

Project

Date

Models

**SP 1 LED UV**

**SP 2 LED UV**

Item #

Quantity



**Model SP 1 LED UV**



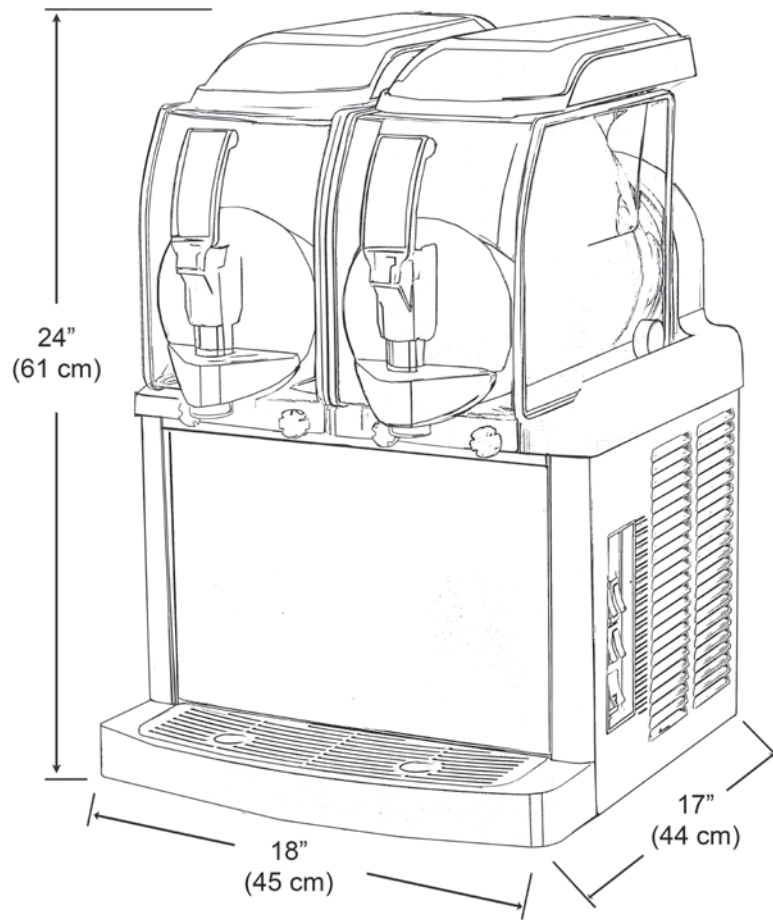
**Model SP 2 LED UV**

## Features

- Functions with water or milk added to dried base or with ready-to-use mixed product bases to create delicious chilled specialties.
- Creates chilled beverages such as frozen coffee, fruit juices, frozen cocktails, and creamy desserts, like mousses, cold creams, slushes, sherbets, and sorbets.
- One or two, 1.3 gallon (5 L) bowls.
- A compact counter machine with elegant design reliably delivers perfect consistency.
- Easy to clean and user-friendly.
- All the components in contact with product can be removed without tools.
- Transparent bowl encourages impulse purchasing.
- Lockable lid.
- Air cooling.
- Mechanical control board.
- Manual defrost mode.
- Digital display shows the bowls temperature.
- Hybrid control of consistency. The integrated software allows the equipment to self-adjust to ensure that the product always has the same consistency, from the first to the last drop dispensed.
- The new design of the screw for adjusting the consistency of the product makes it much easier to use this equipment, which is already user-friendly.
- Double system of LED lights The bowl of SP LED UV is illuminated by LED lights, giving the equipment an even more attractive look. LED lights illuminate the tank from above and below, enhancing the product, increasing its visibility and promoting impulse purchases.
- Exclusive nUV LED system for bowl sanitation.
- Perfect solution for restaurants, cafeterias, coffee shops, bars, or hotels.
- All models are certified NSF-6 safe for milk.

# SP SERIES FROZEN LED UV GRANITA AND COLD CREAM DISPENSERS

Model SP 2 LED UV  
represented



NSF-6



MODEL	DESCRIPTION	ELECTRICAL	PRODUCT DIMENSIONS (H X W X D)	SHIPPING DIMENSIONS (H X W X D)	PRODUCT WEIGHT	SHIP WEIGHT
SP 1 LED UV (1206-036)	(1) 1.3 gallon (5 L) capacity, black finish	115V / 60 Hz 0.44 kW / 5.2 A 1Ph	24" x 10" x 17" (61 cm x 26 cm x 43 cm)	28" x 12" x 19" (71.5 cm x 31.5 cm x 49 cm)	61.7 lbs. (28 kg)	66 lbs. (30 kg)
SP 2 LED UV (1206-039)	(2) 1.3 gallon (5 L) capacity, 2.6 gallon (10 L) total capacity, black finish	115V / 60 Hz 0.7 kW / 9.3 A 1Ph	24" x 18" x 17" (61 cm x 45 cm x 44 cm)	25" x 18" x 19" (62.5 cm x 45 cm x 47 cm)	105.8 lbs. (48 kg)	110 lbs. (50 kg)

**Refrigeration:** R404

**Note:** Operate at room temperature between 75 - 90° F (24 and 32° C)