

Project

Date

Models

CS-1D-16

CS-1D-16-S

CS-1D-22

CS-1D-22-S

Item#

Quantity



model CS-1D-16

FEATURES

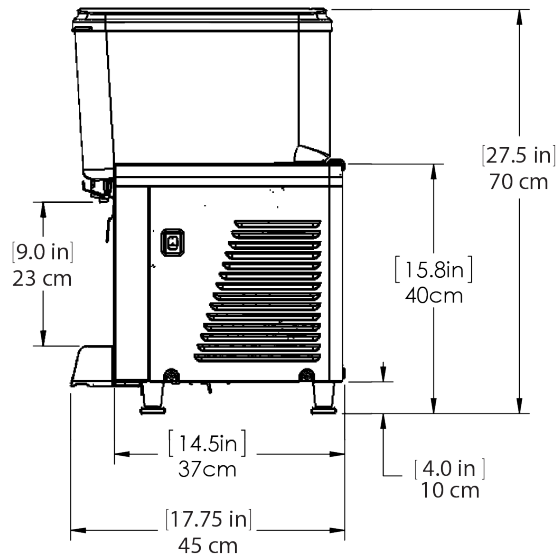
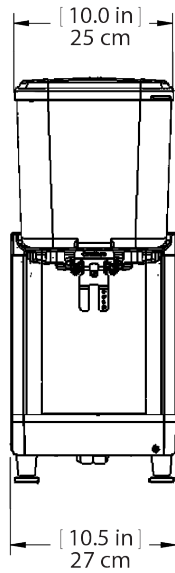
- Premix dispenser with stainless steel base and clear plastic, easy-clean bowls.
- Single flavor dispensed from standard 4.75 gallon (18 L) bowl.
- Spray or Agitation model available.
- Agitation function for fresh juices, coffees, or teas with minimal foaming system.
- Spray function attracts more customers with dynamic moving product.
- Unique to Simplicity, the air intakes from the bottom and exhausts to back. This efficient cooling uses less energy and saves money.
- New easy-off bowl release system for faster and easier assembly and disassembly. No more reaching into the bowl makes cleaning easier and reduces labor.
- Compact size of 10.5" (27 cm) wide saves valuable counter space.
- 9" (22.9 cm) cup clearance for a variety of drinks.
- User-friendly design enables machine to dispense product till the very last drop.
- Fewer removable parts to simplify cleaning and reduce maintenance.
- Temperature range from 35 - 41° F (1.7 - 5° C).





SIMPLICITY™ BUBBLER® SINGLE STANDARD

model
CS-1D-16
represented



MODELS & SPECIFICATIONS

Model	Description	Electrical	Product Dimensions (H x W x D)	Ship Dimensions (H x W x D)	Ship Weight in Two Boxes
CS-1D-16* Base: (231-00001) Bowl: (231-00541)	(1) 4.75 gallon (18 L) bowl Agitator model	120V 60 Hz 3.6A	27.5" x 10.5" x 17.75" (70 cm x 27 cm x 45 cm)	Base: 20.8" x 15" x 18.9" (53 cm x 38 cm x 48 cm) Bowl: 17" x 12.2" x 19.3" (43 cm x 31 cm x 49 cm)	Total: 66 lbs. (30 kg) Base: 53 lbs. (24 kg) Bowl: 13 lbs. (6 kg)
CS-1D-16-S* Base: (231-00197) Bowl: (231-00542)	(1) 4.75 gallon (18 L) bowl Spray model	120V 60 Hz 3.6A	27.5" x 10.5" x 17.75" (70 cm x 27 cm x 45 cm)	Base: 20.8" x 15" x 18.9" (53 cm x 38 cm x 48 cm) Bowl: 17" x 12.2" x 19.3" (43 cm x 31 cm x 49 cm)	Total: 66 lbs. (30 kg) Base: 53 lbs. (24 kg) Bowl: 13 lbs. (6 kg)
CS-1D-22 Base: (231-00000) Bowl: (231-00541)	(1) 4.75 gallon (18 L) bowl Agitator model	230V 50/60 Hz 1.5A	27.5" x 10.5" x 17.75" (70 cm x 27 cm x 45 cm)	Base: 20.8" x 15" x 18.9" (53 cm x 38 cm x 48 cm) Bowl: 17" x 12.2" x 19.3" (43 cm x 31 cm x 49 cm)	Total: 66 lbs. (30 kg) Base: 53 lbs. (24 kg) Bowl: 13 lbs. (6 kg)
CS-1D-22-S Base: (231-00196) Bowl: (231-00542)	(1) 4.75 gallon (18 L) bowl Spray model	230V 50/60 Hz 1.5A	27.5" x 10.5" x 17.75" (70 cm x 27 cm x 45 cm)	Base: 20.8" x 15" x 18.9" (53 cm x 38 cm x 48 cm) Bowl: 17" x 12.2" x 19.3" (43 cm x 31 cm x 49 cm)	Total: 66 lbs. (30 kg) Base: 53 lbs. (24 kg) Bowl: 13 lbs. (6 kg)

***Electrical:** NEMA 5-15P line cord included.

Refrigeration: 1/10 hp.

Note: Product Dimension Height includes 4" (10 cm) legs.

OPTIONS

Condenser Filter (210-00118) - Protect your condenser with a removable, easy-to-clean filter

Merchandiser Kit (231-00227) - Attract more customers to unit with extra graphics

Liquid Autofill Control Box (2001-000) - Not for use with RO water systems