



# COUNTERTOP SINGLE BURNER (HOB) COOKTOP with Standard Controls



### PERFORMANCE

The CookTek® Countertop Single Burner (Hob) Cooktop with Standard Controls is a portable countertop design with stainless steel housing and a glass-ceramic cooktop intended for use in commercial kitchens and restaurants. An automatic shut-off feature, integral cooling fan, and self-diagnosing microprocessor allow for a safe kitchen environment. Each unit is equipped with 22 temperature settings and 20 power cook settings to ensure maximum and efficient heating of any induction-compatible pan.\*

Project \_\_\_\_\_

Item No. \_\_\_\_\_

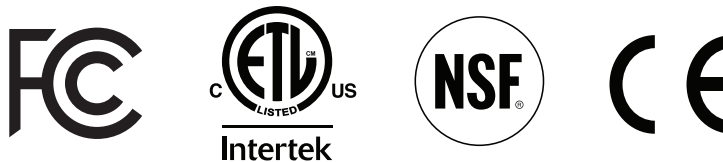
Quantity \_\_\_\_\_

### FEATURES

- Models available in 1,500 (U.S. only); 1,800 (U.S. only); 2,500; 3,000; 3,500 watts
- Portable design with stainless steel housing
- High-quality internal electronics and heavy gauge Litz wire
- Easy-to-clean high temperature glass-ceramic top
- Automatic pan detection allows for instant energy transmission to pan
- Programmed with 22 temperature settings and 20 power cook settings
- LED display
- Temperature range from 85°F–500°F (29°C–260°C)
- Automatic shut-off feature prohibits overheating
- Integral grease filter and air baffle ensure air intake is cleaner and cooler
- Microprocessor monitors vital components to check for overheating, power supply issues, and more
- Integral fan keeps internal components cool
- Available in 100–120 VAC or 200–240 VAC, single phase
- Includes plug and cord (6 ft. nominal)
- Two-year advanced replacement warranty – U.S. and Canada

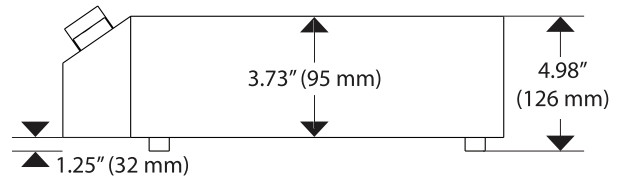
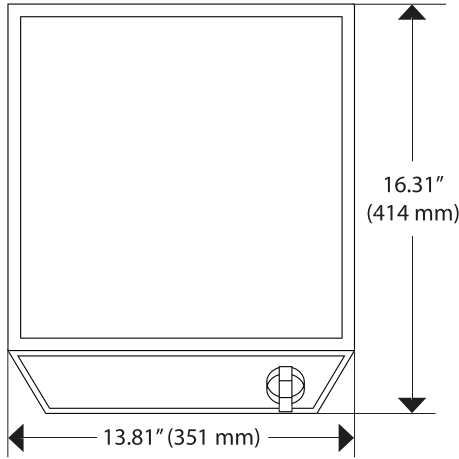
COUNTERTOP SINGLE BURNER (HOB) COOKTOP

### CERTIFICATIONS



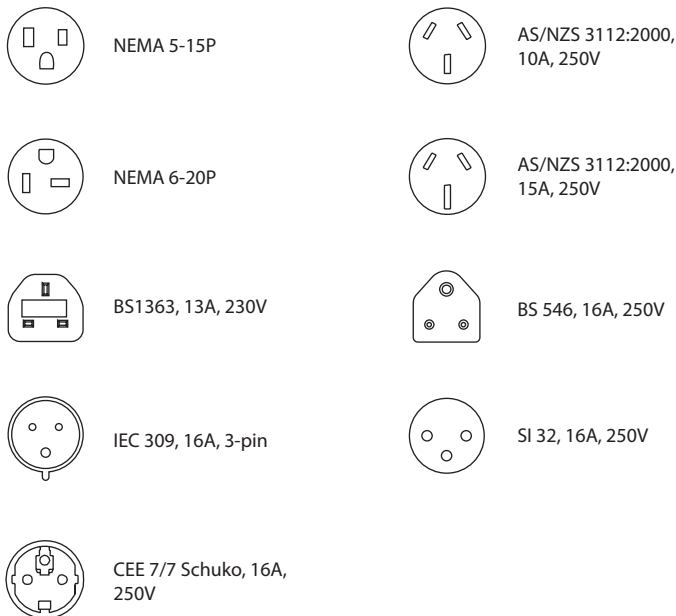
\*Induction cooking requires the use of induction-compatible (i.e. magnetic) cookware.

It is the owner and installer’s responsibility to comply with all local codes. CookTek reserves the right to make substitutions of components or change specifications without prior notice.



DIMENSIONS		
Full Unit Height	4.98"	126 mm
Housing Height	3.75"	95 mm
Full Unit Width	13.81"	351 mm
Full Unit Depth	16.31"	414 mm
Feet Height	1.25"	32 mm
Weight	19 lb.	8.6 kg
Max Ambient Temperature	122°F	50°C
WALL CLEARANCE		
Front	2"	51 mm
Sides	2"	51 mm
Rear	2"	51 mm
SHIPPING INFORMATION		
Packaged Height	9"	229 mm
Packaged Width	18.75"	476 mm
Packaged Depth	20.75"	527 mm
Packaged Weight	24 lb.	10.9 kg
Item Class	250 NMFC #26710	

ELECTRICAL SPECIFICATIONS (SINGLE PHASE)			
UNITED STATES/CANADA			
MC1500	600501	100-120 V, 50/60 Hz, 14 A, 100-1,500 W	NEMA 5-15P
MC1800	600601	100-120 V, 50/60 Hz, 15 A, 100-1,800 W	NEMA 5-15P
MC2500	600701	200-240 V, 50/60 Hz, 12 A, 100-2,500 W	NEMA 6-20P
MC3000	600801	200-240 V, 50/60 Hz, 14 A, 100-3,000 W	NEMA 6-20P
MC3500	600901	200-240 V, 50/60 Hz, 15 A, 100-3,500 W	NEMA 6-20P
UK AND SAUDI ARABIA			
MC2500	600702	200-240 V, 50/60 Hz, 12 A, 100-2,500 W	BS1363, 13A, 230V
MC3000	600802	200-240 V, 50/60 Hz, 14 A, 100-3,000 W	BS1363, 13A, 230V
MC3500	600902	200-240 V, 50/60 Hz, 15 A, 100-3,500 W	IEC 309, 16A, 3-pin
INTERNATIONAL			
MC2500	600703	200-240 V, 50/60 Hz, 12 A, 100-2,500 W	CEE 7/7 Schuko, 16A, 250V
MC3000	600803	200-240 V, 50/60 Hz, 14 A, 100-3,000 W	CEE 7/7 Schuko, 16A, 250V
MC3500	600903	200-240 V, 50/60 Hz, 15 A, 100-3,500 W	CEE 7/7 Schuko, 16A, 250V
AUSTRALIA			
MC2500	600704	200-240 V, 50/60 Hz, 12 A, 100-2,500 W	AS/NZS 3112:2000, 10A, 250V
MC3000	600804	200-240 V, 50/60 Hz, 14 A, 100-3,000 W	AS/NZS 3112:2000, 15A, 250V
MC3500	600904	200-240 V, 50/60 Hz, 15 A, 100-3,500 W	AS/NZS 3112:2000, 15A, 250V
SOUTH AFRICA			
MC2500	600707	200-240 V, 50/60 Hz, 12 A, 100-2,500 W	BS 546, 16A, 250V
MC3000	600807	200-240 V, 50/60 Hz, 14 A, 100-3,000 W	BS 546, 16A, 250V
MC3500	600907	200-240 V, 50/60 Hz, 15 A, 100-3,500 W	BS 546, 16A, 250V
ISRAEL			
MC2500	600708	200-240 V, 50/60 Hz, 12 A, 100-2,500 W	SI 32, 16A, 250V
MC3000	600808	200-240 V, 50/60 Hz, 14 A, 100-3,000 W	SI 32, 16A, 250V
MC3500	600908	200-240 V, 50/60 Hz, 15 A, 100-3,500 W	SI 32, 16A, 250V



Dedicated circuit required for each installation.

**Global Operations**  
 2801 Trade Center Drive / Carrollton, Texas 75007 USA  
 US: 800.90TURBO (800.908.8726) / International: +1 214.379.6000  
 Fax: +1 214.379.6073 / www.cooktek.com