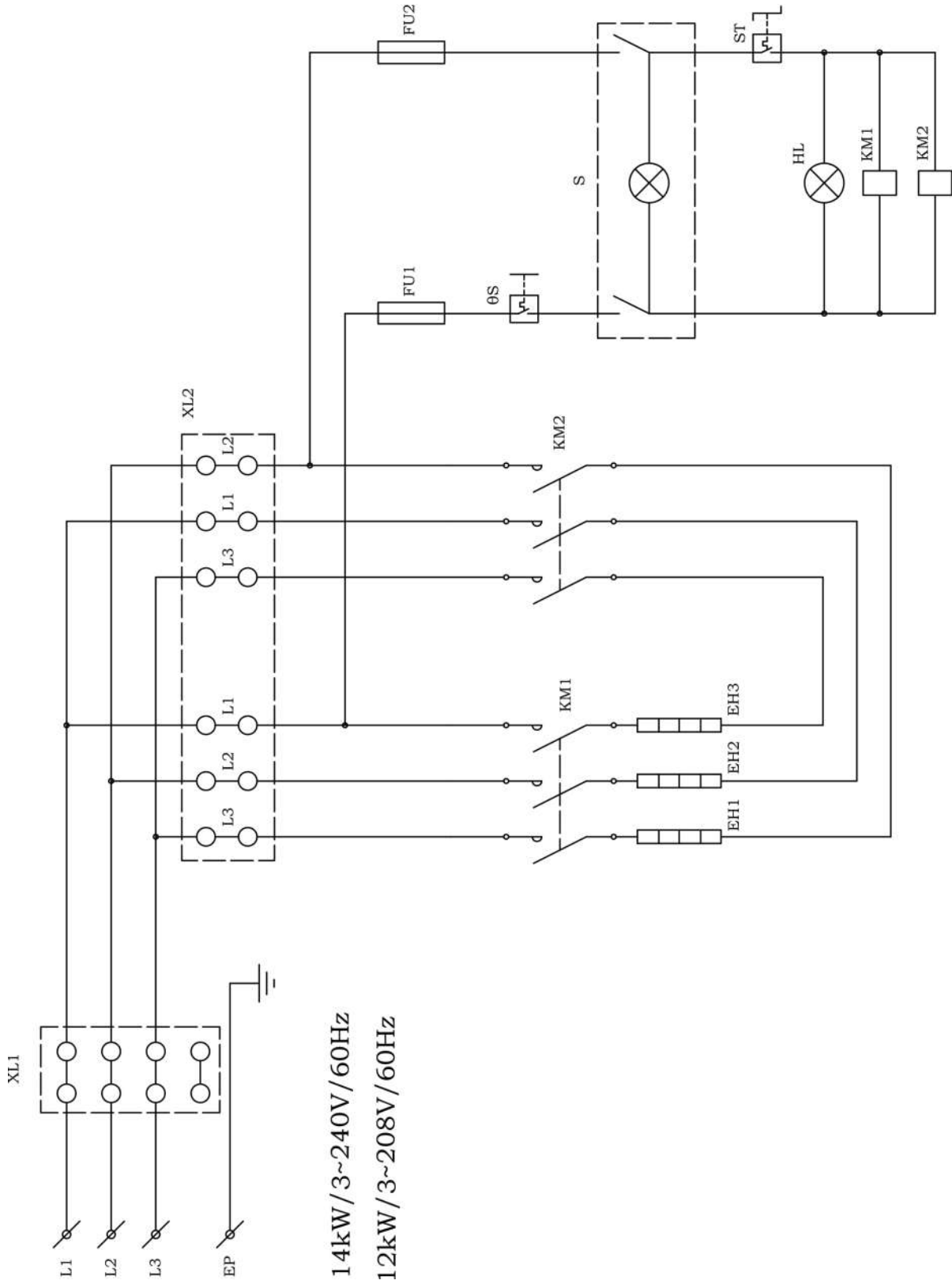


14kW / 240V ~ / 60Hz

12kW / 208V ~ / 60Hz

- XL1, XL2-----Porcelain Terminal
- KM1, KM2-----AC Contactor
- θS-----Temperature limiter
- FU1, FU2-----Fuse
- S-----Power switch with light
- ST-----Thermostat
- HL-----Heating Indicator
- EH1, EH2, EH3-----Heating Element



- XL1, XL2-----Porcelain Terminal
- KM1, KM2-----AC Contactor
- θS-----Temperature limiter
- FU1, FU2-----Fuse
- S-----Power switch with light
- ST-----Thermostat
- HL-----Heating Indicator
- EH1, EH2, EH3-----Heating Element