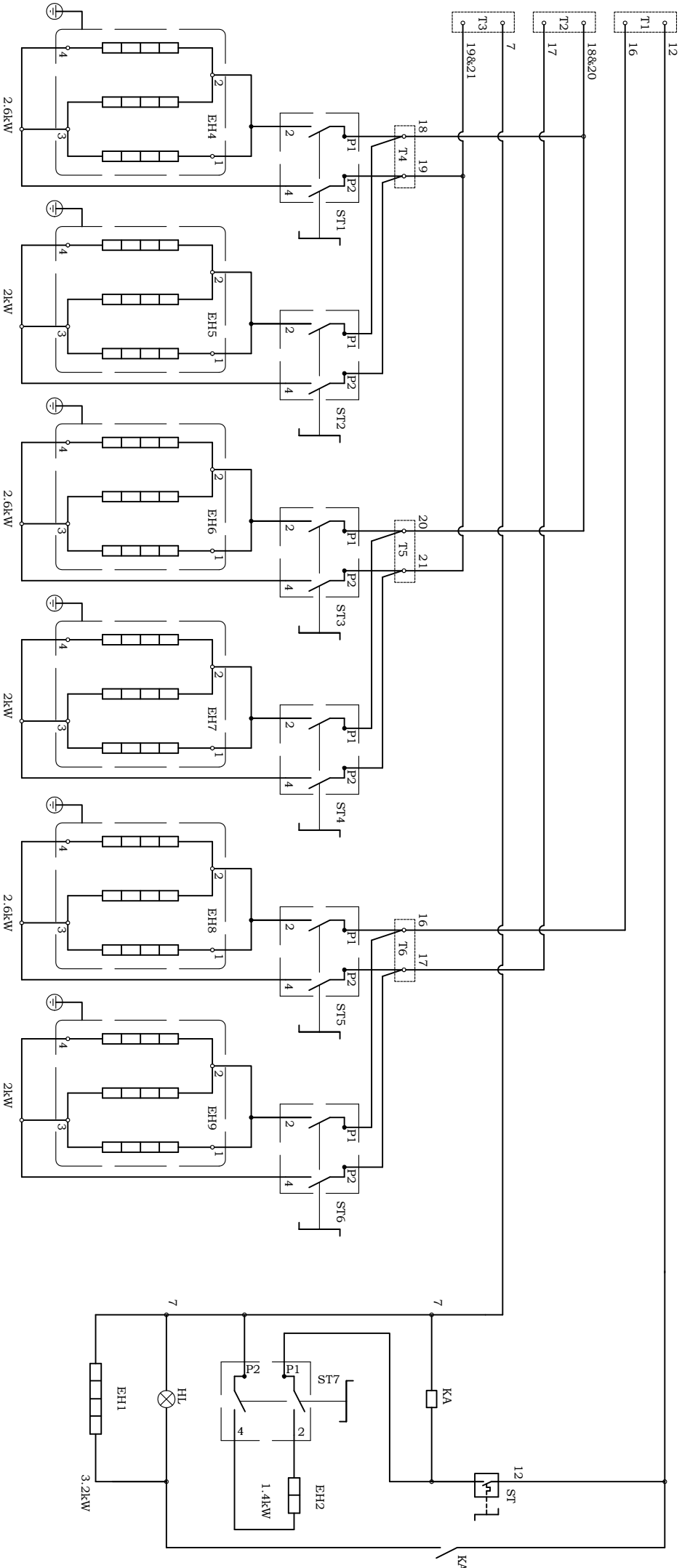


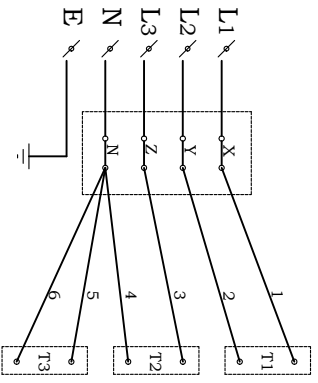
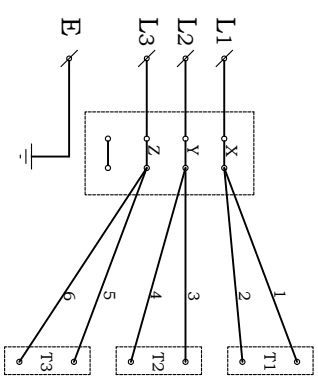
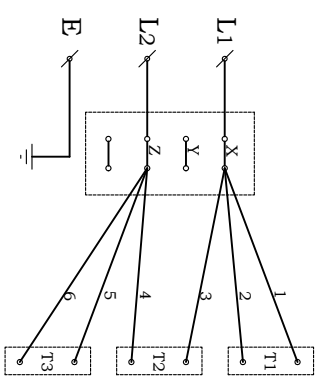
# ER36 circuit diagram



208 & 240VAC 1 PH/50~60Hz

208 & 240VAC 3 PH/50~60Hz

380Y/220VAC 3 PH 4 WIRE/50~60Hz



- T1~6-----Terminal
- ST1~7-----Proportioner
- EH3~8-----Heating plate
- ST-----Thermostat
- HL-----Heating indicator
- EH1~2-----Heating element
- KA-----Relay