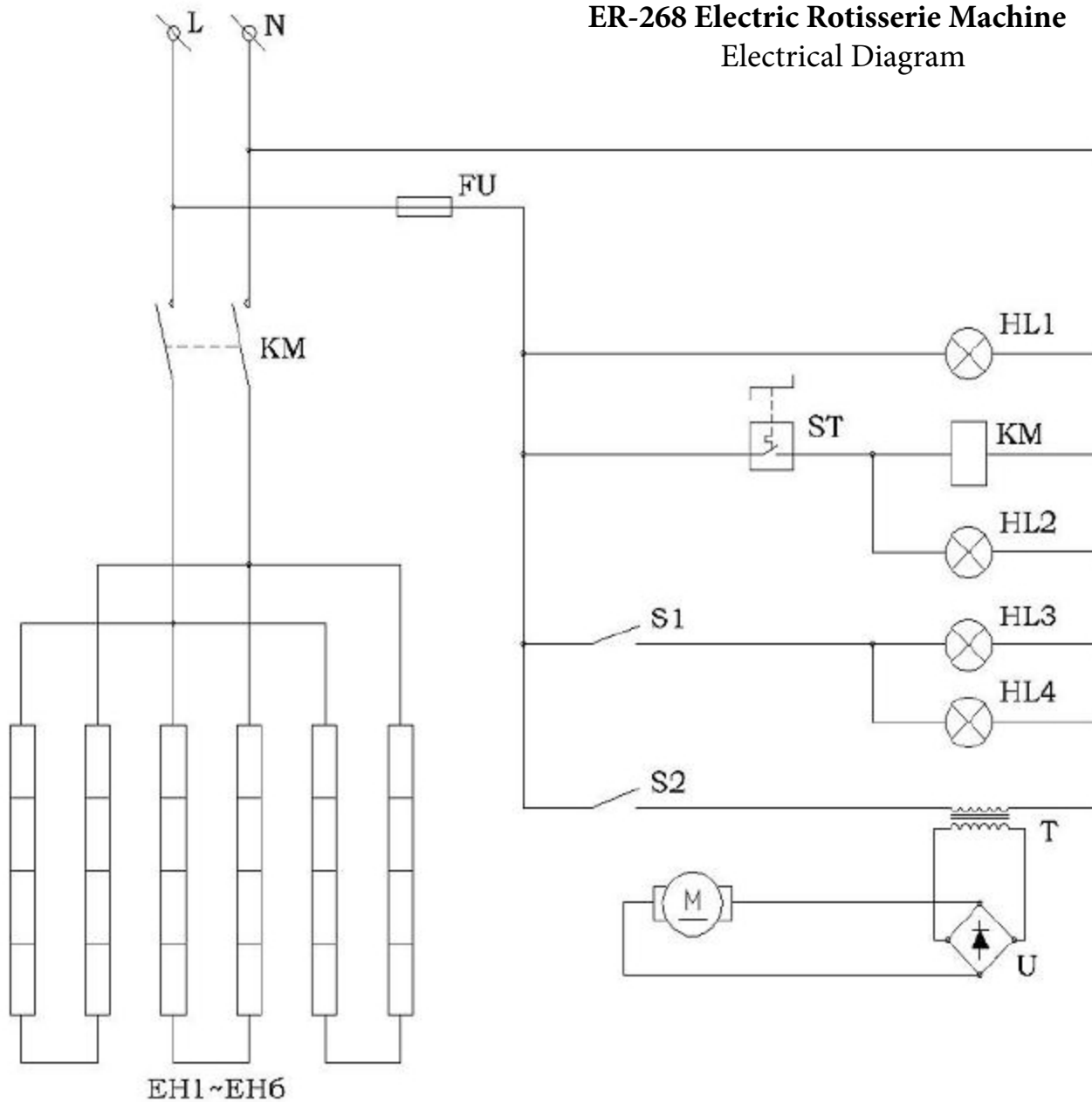




SOUTHWOOD
 ROTISSERIE MACHINES

COOKLINE
performance series

ER-268 Electric Rotisserie Machine
 Electrical Diagram



- T ————— transformer
- U ————— rectifier
- M ————— motor
- FU ————— fuse
- ST ————— thermostat
- EH1~EH6 ————— heating element
- KM ————— A.C. contactor
- HL1 ————— power indicator
- HL2 ————— heating indicator
- HL3.HL4 ————— chamber lamp
- S1.S2 ————— switch