

USER MANUAL

FREESTANDING STAINLESS STEEL DRAWER WARMER



MODEL: C-DW-1; C-DW-2; C-DW-3



USR Brands, Inc.

Phone: 800-764-1172 | www.usrestaurant.com | sales@usrestaurant.com

Thank you for purchasing this range of appliance of our company.
Proper attention to preventative maintenance and scheduled maintenance procedures will prolong the life of the appliance.

Warning:

Improper installation, adjustment, alteration, service or maintenance can cause property damage, injury or death. Read the installation, operation and maintenance instructions thoroughly before installing or servicing this appliance.

For your safety

Do not store gasoline or other flammable liquids in the vicinity of this or any other appliance.

WARNING: FIRE HAZARD

The area where the appliance is installed must be kept clear of combustibles and flammables. This includes mops, rags, grease, wrapping paper and electrical cords.

Warning

Electrical Grounding Instructions

This appliance is equipped with a three-prong (grounding) plug for your protection against shock hazard and should be plugged directly into a properly grounded three-prong receptacle. Do not cut or remove the grounding prong from this plug.

Notice

This appliance is designed for use in non-combustible locations only. Install the appliance on a firm, level, non-combustible surface.
For servicing, a clearance of 6 inches (15cm) from rear of the appliance to wall should be kept.

This kind of hot drawer-counter is developed by our company. It absorbs the advantages of similar products home and abroad. It is novel in design and reasonable in structure. It is easy to operate and maintain. It is very popular. It is an ideal choice for super-markets, western food kitchen, fast-food chains and other food industries.

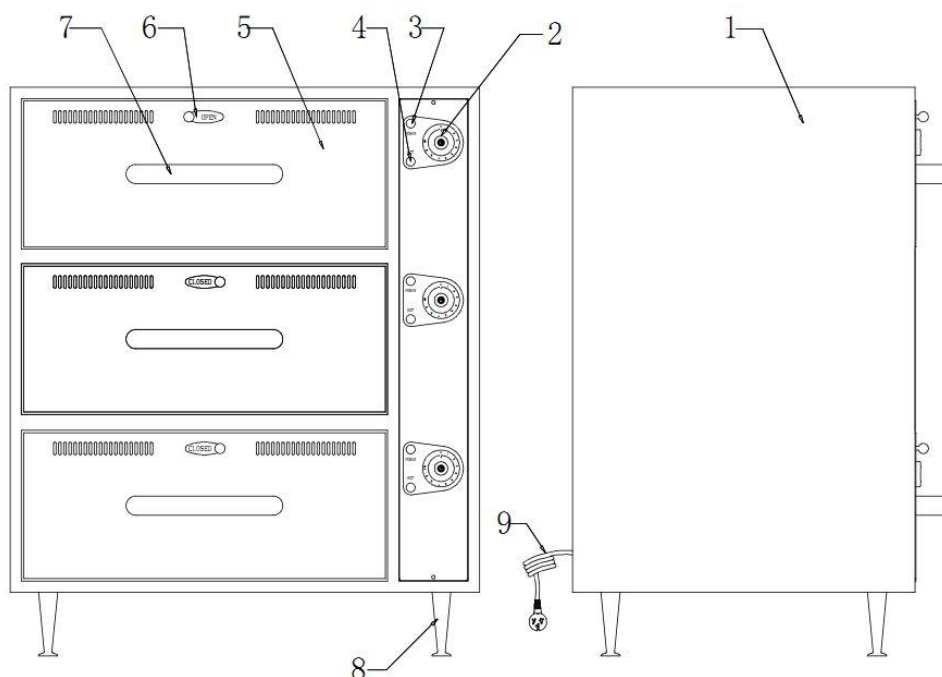
1. General information

Proper installation, professional operation and consistent maintenance of this appliance will ensure that it gives you the very best performance and a long, economical life.

This instruction manual contains the information needed to properly install the appliance, and to use and care for the appliance in a manner which will ensure its optimum performance. This manual is considered to be a permanent part of the appliance. This manual and supplied instruction, circuit diagrams, schematics, parts breakdown illustrations, notices, warnings and naming plates must remain with the appliance if it is sold or moved to another location. It should be easily accessible for anyone carrying out the installation, servicing, and cleaning.

2. Product Specification

2.1 Product overview



- 1. Body 2. Thermostat 3. The power indicator light 4. Heating indicator light 5. Drawer 6. Switch for air opening 7. Handle**
8. Foot 9. Power cord

3. Electrical parts installation

- 3.1. Make sure the supplied voltage matches the rating voltage on the naming plate. The installation should be performed by a qualified technician.
- 3.2. Make sure that the appliance is grounded safely. For convenient operation, never pile up the sundry goods near the switch.
- 3.3. A fuse breaker should be installed between the appliance and the power cord. And the voltage should not fluctuate higher or lower by 10% of rated voltage.
- 3.4. The appliance can be installed on an even location or on a firm location.
- 3.5. Get rid of the film on the outside surface.

4. Handles and legs installation

The Drawer Warmers are shipped with most components preassembled. The handles and legs are disassembled and put inside the drawer pans to save packaging space and avoid transportation damage. Care should be taken when unpacking the shipping carton to avoid damage to the unit and components enclosed.

ELECTRIC SHOCK HAZARD: Unit is not weatherproof. Locate unit indoors where ambient air temperature is a minimum of 70°F (21°C).

FIRE HAZARD: Locate the unit a minimum of 1" (25.4 mm) from combustible walls and materials. If safe distances are not maintained, combustion or discoloration could occur.

NOTICE: Do not lay unit on the front or back side. Damage to the unit could occur. Please follow the below steps to proceed installation.

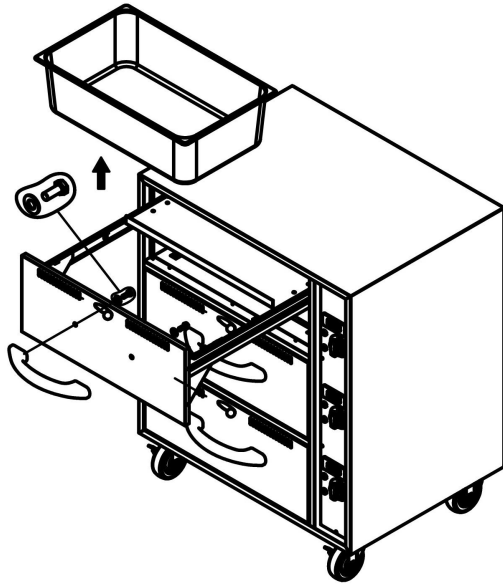
Step 1. Unpack the unit from the carton. Take the handles and legs from the drawer of the unit.

Step 2. Place the unit in the desired location.

- Avoid areas that may be subject to active air movements or currents (i.e., near exhaust fans/hoods and air conditioning ducts).
- Make sure the unit is located on solid, level flooring or in sturdy cabinetry.
- Make sure the unit is at the proper height in an area convenient for use.

Install the handles

- Take the handle and bolts from the drawer pan and insert the bolts.
- Remove the drawer pan. Align the drawer handle with the pilot holes. Insert the bolts through the handle and into the drawer. Tighten the bolts with a screwdriver, but avoid over-tightening.
- Check for alignment. Open and close the drawer to ensure the handle is aligned properly and do not obstruct the drawer's movement. If necessary, adjust the handle placement and tighten the bolts further.

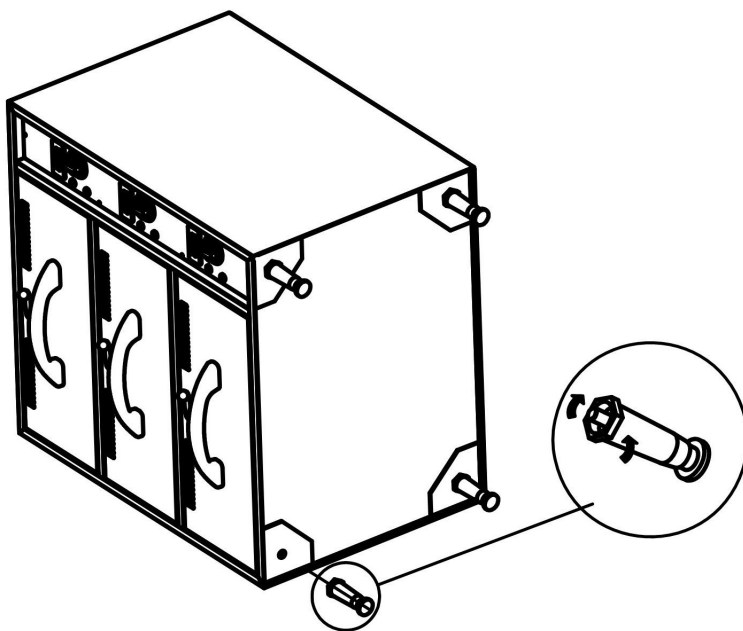


Install the legs

- Remove the plastic bag containing the four legs from the drawer of the unit.
- Carefully lay the unit on its side (requires two people).
- Install each leg.
- Return the unit to its upright position (requires two people). For units on legs — If the unit is not level or rocks, turn the adjustable tip of the appropriate leg to level the unit.

Installing Legs

- Thread a leg into the hole located at one corner of the unit.
- Hand-tighten the leg until snug. Do not over-tighten.
- Repeat steps 1 and 2 for the remaining three legs.



4. Operation

Warning: Check and verify every specification of the appliance before operating.

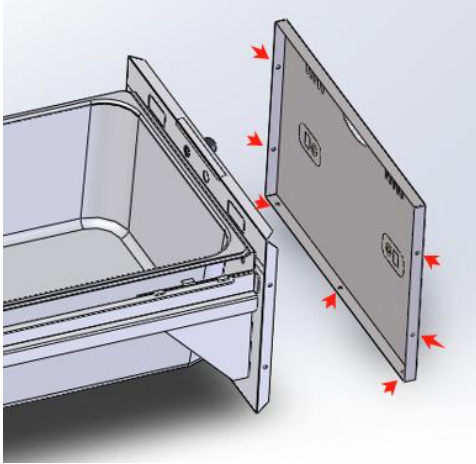
- 4.1 Turn the power on. The power indicator is on. Then the appliance is ready to serve;
- 4.2 Rotate the thermostat clockwise to the desired temperature per your requirement and the amount of food. Then the heating indicator (HOT) is on. The temperature can be adjusted gradually from level 1 to level 10. The temperature falls within 85~185°F/30~85°C;
- 4.3 When the inner temperature reaches the set one, the thermostat will work to cut the power off. Then the indicator goes off. When the temperature falls below the set one, the thermostat will connect the power automatically. Then the heating elements restart working;
- 4.4 Use the air opening switch to control the air opening so as to control the inner temperature;
- 4.5 The height of the appliance can be adjusted.

5. Transportation and storage

In the process of transportation, the appliance should be handled carefully, preventing the intense shaking. The packaged appliance should be stored in a well-ventilated area free of caustic air. It cannot be placed in the outside area and should never be put upside down. Keep it dry and dust-free. Do not expose it to direct sunlight. Avoid mechanical shocks and vibrations. If it is for temporary storage, the weather-proof method should be taken.

6. Cleaning and maintenance

- 6.1. Before cleaning and repairing the unit, cut off the power in case of electric shock and wait until the appliance cools down completely.
- 6.2. Take out the pan outside the cabinet for cleaning.
- 6.3 When cleaning the chamber, wait until the heating elements cool down, then use a piece of cloth to clean the inside cabinet. Never pour water directly into the cabinet.
- 6.4. The feet can be dismantled. Check the amount and make sure they are complete.
- 6.5 The front panel can be dismantled by remove seven bolts. use a piece of cloth and sanitizer to clean the inside panel. After cleaning, fix front panel by bolts.



7. Notice

- 7.1 The voltage and phase of power supply should match that one on the naming plate.
- 7.2 Operators should install suitable switch, fuse protector and three-prong receptacle.
- 7.3 The appliance should be grounded safely. No insulation material should be placed between the body and earth. Make sure the appliance is grounded safely to avoid unnecessary electric shock.
- 7.4 Before using, be sure that the wire is not loose and the voltage is normal.

WARNING

- This appliance has been designed and built for commercial use only and should be operated by qualified personnel only.
- Do not dismantle or modify this appliance, nor lean it.
- Dismantlement and modification can result in severe damage.
- Never pad on the appliance or place any heavy objects on the appliance. Improper operation can result in severe damage and risks.
- **CAUTION: HOT**
When in use or after use, do not touch the inside body of the appliance, especially the bottom cover board.
- The voltage and frequency should match that marked on the naming plate.

NOTICE

- If a lightning occurs, cut the power off immediately to avoid the damage by lightning shock.
- Never use hard or sharp objects to destroy the outside shell or controlling panel.
- After use, cut the power off.
- The electrical connection and maintenance should be performed by a qualified personnel.

If the power cord is worn out, the replacement should be performed by a qualified technician.

8. Daily checking

Check the appliance before and after use. Before using, make sure the appliance dose not lean. Be certain that the power cord is not worn out or broken. When in use, make sure no unpleasant smell is present and there is no any unusual noise.

This manual must be read and understood by all persons using or installing this appliance. Contact your local dealer if you have any questions concerning installation, operation or maintenance of this equipment.

IMPORTANT: DO NOT DISCARD THIS MANUAL

This manual is considered to be part of the appliance and is to be given to the owner or manager of the hotel or restaurant, or to the person responsible for training operators of this appliance. It should be retained for future reference. Additional manuals are available from your local dealer.