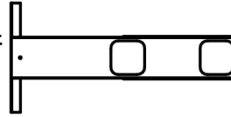


Parts List:

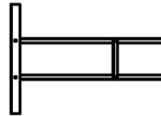
1, Connecting Plate



2, Left / Right Upright Component



3, Middle Upright Component



4, Shelf Panel



5, Shelf Tag Holder



6, M5x16 Screw Bolt

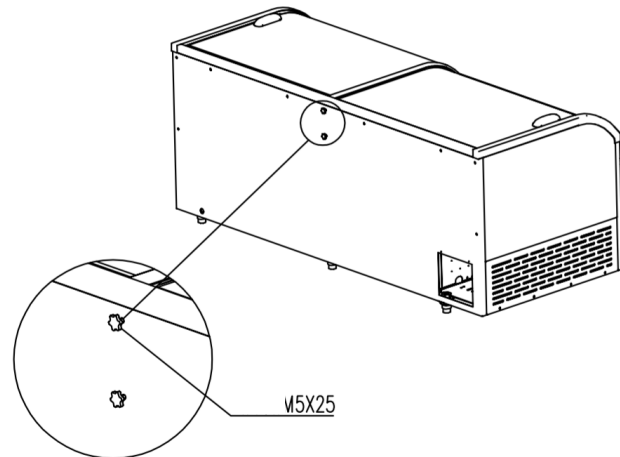


7, M5x25 Screw Bolt



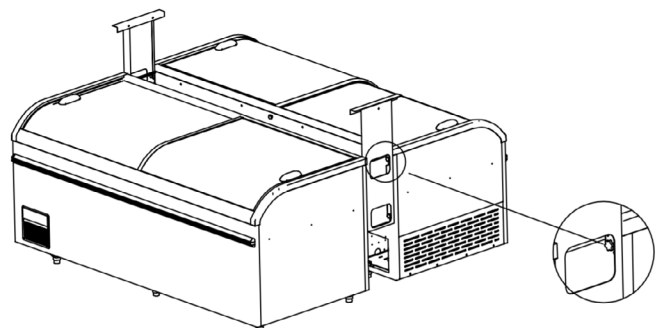
Step 1:

Insert the M5x25 bolts into the screw holes in the middle position on the back of the product, and then tighten them. (2 per unit, 4 in total)



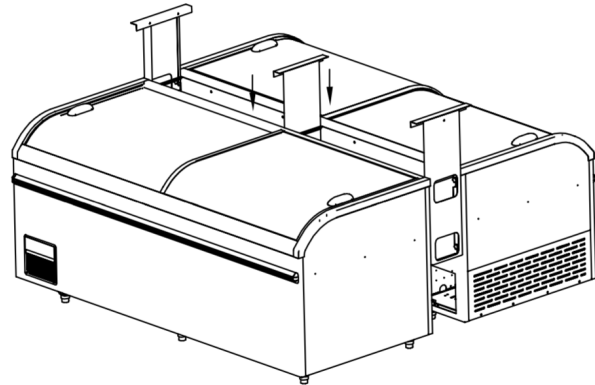
Step 2:

Use M5x16 bolts to attach the left and right upright components to the sides of the product (4 bolts per component, 8 bolts in total)



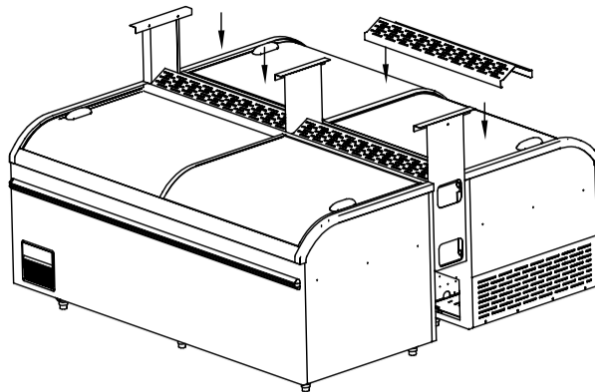
Step 3:

Place the middle column component onto the (M5x25) bolt studs



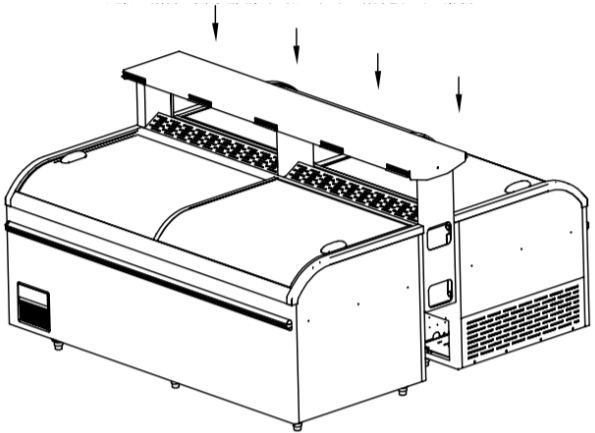
Step 4:

Insert the shelf connecting plates onto the supports of the upright components from top to bottom as indicated by the arrows



Step 5:

Place the shelf panel onto the supports of the upright components from top to bottom as indicated by the arrows



Step 6:

Install the shelf tag holders

