

Project:	Quantity:
Model #:	Approval:

*For Commercial Use Only*

### NU550-T 22" Modular Air Cooled 550 lb. Capacity Nugget Cube Shape Ice Machine



#### FEATURES

- Produces 550 lb. of ice in 24 hours
- Modular ice machine head
- Self-clean system
- Produces high-quality crystal clear nugget ice
- Digital controller and display
- Soft easy to chew ice
- Side-located air filter for more efficient operation

This air-cooled modular icemaker in stainless steel from Coldline is a very reliable and versatile ice maker that produces up to 550 lb. of ice per day. This #304 stainless steel construction provides durability to a unit that is low-maintenance and easy to clean with a self-clean system. The unit produces crystal clear ice cubes that work great for applications in restaurants, bars, hotels, grocery stores and more. This unit runs on a standard electrical current and is ETL approved for commercial use, pairing high output and capacity with easy to use control panel, compact design.

- cETLus Listed
  - ETL Sanitation Listed
- Conforms to UL & NSF Standards



USR Brands is a US supplier of premium quality commercial cooking, refrigeration and food preparation equipment. Our aim is simple. Produce industry-leading commercial restaurant equipment at reasonable prices, and back it all up with an easy to understand, no nonsense warranty that people can count on.

Project:	Quantity:
Model #:	Approval:

For Commercial Use Only

### TECHNICAL DATA

#### DIMENSIONS

Exterior Dimensions	22"L x 24.5"D x 24"H
Packaging Dimensions	25"L x 26"D x 26"H
Unit Weight	157 lb.
Shipping Weight	196 lb.

#### ELECTRICAL

Voltage	115
Hertz	60
Phase	1
Amps	11.81
Wattage	1199.5
Plug Type	NEMA 5-15P
Power Cord Length	60"

#### COOLING

Ice Shape	Nugget
Condenser Type	Air Cooled
24 Hour Ice Yield Output	550 lb.
Min. Water Pressure	13 PSIG
Max. Water Pressure	55 PSIG
Refrigerant	R290
Temperature Controller	Digital

#### CONSTRUCTION

Exterior Material	Stainless Steel
Interior Material	Polyethylene
Insulation Material	Foamed-in-Place Polyurethane

### TECHNICAL DRAWING

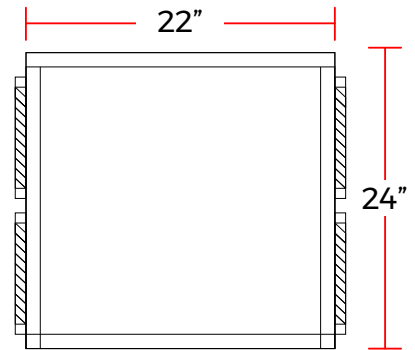
MODEL: NU550-T

MFR MODEL:

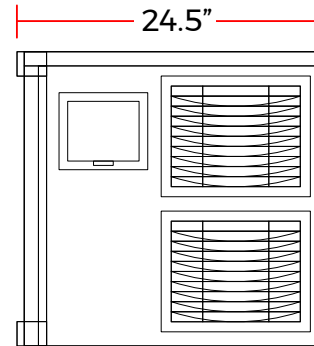


NEMA 5-15P

FRONT VIEW



SIDE VIEW



BACK VIEW

