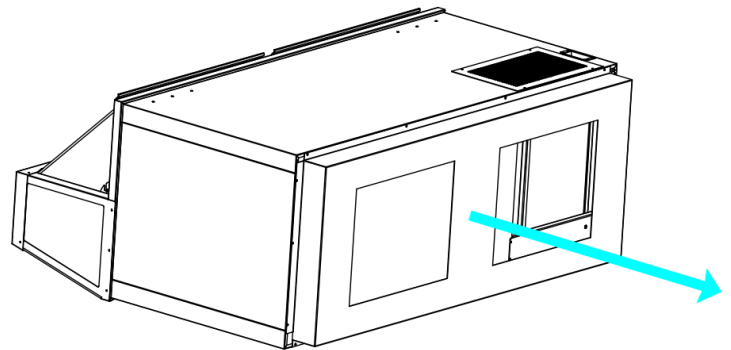


### Castors (sold separately)

#### Step 1:

Carefully lay the unit on its side, ensuring proper protection to avoid any damage. Loosen the base screw.

**Note:** This step requires more than one person to perform safely.



#### Step 2:

Carefully remove the base from the unit

#### Step 3:

Install the castors securely.

**Note:** After installation, keep the unit up-right for 24 hours before connecting it to a power source.

