

Project:	Quantity:
Model #:	Approval:

For Commercial Use Only

CTP48SG 48" Refrigerated Countertop Salad Bar, Glass Topping Rail



FEATURES

- Holds temperature between 33°F to 41°F
- Stainless steel construction
- Digital temperature control and display
- Removable flat glass cover
- Static cooling system with continuous evaporator
- CFC free refrigerant and foam
- Fits 4 x 1/3 Size 6" deep pans (sold separately)

Keep salad, condiments, toppings and other food items cold on this four pan countertop salad bar. This commercial refrigerated salad bar is perfect for pizza shops, restaurants, and foodservice establishments that serve a variety of cold salads. A self contained unit, our salad bar refrigerator maximizes energy consumption and consistently maintains your toppings within the 33°F to 41°F temperature range. A digital temperature controller makes it super easy for your staff to adjust the temperature, while an automatic defrost feature increases the efficiency of the unit.

- cETLus Listed
 - ETL Sanitation Listed
- Conforms to UL & NSF Standards



USR Brands is a US supplier of premium quality commercial cooking, refrigeration and food preparation equipment. Our aim is simple. Produce industry-leading commercial restaurant equipment at reasonable prices, and back it all up with an easy to understand, no nonsense warranty that people can count on.

Project:	Quantity:
Model #:	Approval:

For Commercial Use Only

TECHNICAL DATA

DIMENSIONS

Exterior Dimensions	47.2"W x 15.5"D x 17.3"H
Interior Dimensions	33.5"W x 12.2"D x 6.5"H
Packaging Dimensions	51"W x 18"D x 18"H
Unit Weight	92 lb.
Shipping Weight	101 lb.

ELECTRICAL

Voltage	115
Hertz	60
Phase	1
Power Cord Length	60"

COOLING

Temperature Range	33°F to 41°F
Temperature Controller	Digital

CONSTRUCTION

Exterior Material	Stainless Steel and Glass
Pans	(4) x 1/3 Size 6" Deep S/S Pans (sold separately)

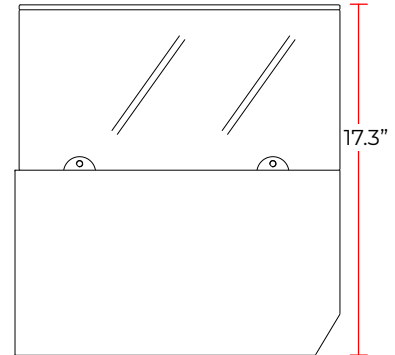
TECHNICAL DRAWING

MODEL: CTP48SG



NEMA 5-15P

SIDE VIEW



TOP VIEW

