



Since 1911

Gas & Electric Fryers, The FRY-SAVER[®]

Heavy Duty, High Performance



Stainless Steel Construction

Stainless Steel Fry Tank



Countertop Fryers Gas and Electric

Keeps Oil at Peak Quality



The FRY-SAVER[®] - Oil Filtration System



Since 1911

Heavy Duty Floor Model Electric Fryers - 40 lb. and 65 lb.

The Cecilware Electric & Gas Floor Model fryers are designed with the foodservice operator in mind. We have built an

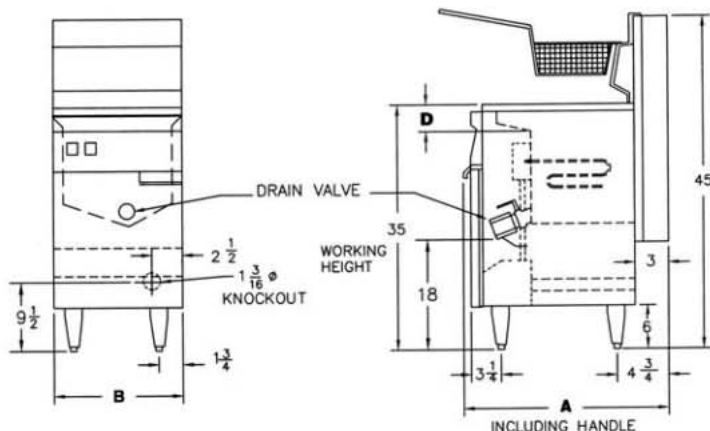
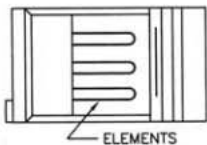


Features

- ✓ **Economical To Operate** - Maximum efficiency with a balanced electrical load.
- ✓ **Mechanical Temperature Controls**
- ✓ **Trouble Free, Low Watt Density, Fixed Elements**
- ✓ **High Energy Incoloy Elements** - provide fast recovery.
- ✓ **Robertshaw High Limit and Automatic Temperature Controls** - insure accurate, safe fryer operation. Conserve energy and save money.
- ✓ **Melt Cycle Controls** - standard on all models.
- ✓ **Oversized, Full-flow 1.25" Drain Valve** - makes draining effortless.
- ✓ **Tough Unibody Construction**
- ✓ **All Controls Are Easy To Service and Accessible From the Front of the Fryer.**
- ✓ **Options:** Locking & regular casters, single fry baskets, banking strips

Model #	Tank	Fat Capacity	Overall Depth	Width	Ship Weight	Electrical	
						1 Phase	3 Phase
EFP-40*	Mild Steel	40 lbs.	31"	15½"	140 lbs.	208V,86.5A	208V,50A
EFS-40*	Stainless Steel					240V,75A	220V,48A / 380V,28A 240V,44A / 415V,25A
EFP-65**	Mild Steel	65 lbs.	35"	20"	200 lbs.	208V,100A	208V,58A
EFS-65**	Stainless Steel					240V,87.5A	220V,55A / 380V,32A 240V,51A / 415V,29A

Working Height: 35" Overall Height: 44½" Minimum Fat Capacity: * 55 lbs. ** 102 lbs. Specify voltage and phase
 40 lb. Fryer Basket Size: 12½" x 6½" x 5½"; Use Basket # V184A 65 lb. Fryer Basket size: 16¾" x 8¾" x 6"; Use Basket # V180A
 40 lb. Fryer Foam Area: 13½" x 22" 65 lb. Fryer Foam Area: 18¾" x 28"
 40 lb. Fryer: 18 KW 65 lb. Fryer: 21 KW
 Door: Stainless Steel, Body: Stainless Steel except: FMP-40BSS - Enamel



Electric & Gas Fryer

Model	A	B
40 lb.	31"	15½"
65 lb.	35½"	20"

Floor Model Fryer

Part #	Fryer Type	Depth
V174P	40 lb. gas / electric	13¾"
V180P	65 lb. gas / electric	16¾"

"P" Plasticized handles Front hook placement

