

# Single AXIOM 15 GPR w/1.5 Gal Srvr

20.5" x 22.1" x 8.4"  
(52.1cm x 56.1cm x 21.3cm)



 Servers and airpots sold separately

- Adjusts automatically to varying water pressure
- Automatic warmer shut-off
- Electronic diagnostics and built-in tank drain make service easier
- For high lime areas, BrewLOGIC® technology calculates flow rate and adjusts brew time to maintain consistent pot levels
- Large 200oz. (5.9L) tank provides back-to-back brewing capacity
- Ensure coffee quality with programming for brew level, cold brew lock-out and tank temperature, set easily from the front of the machine
- Brews 1/2gal or 1gal (1.9 and 3.8L) batches into 1.5 GPR portable server (server included)
- Gourmet funnel allows use of heavier throw weights of coffee
- Hot water faucet does not affect brew level
- SplashGard® funnel deflects hot liquids away from the hand
- Coffee extraction controlled with programmable pre-infusion, pulse brew and digital temperature precision
- Energy-saver mode reduces tank temperature during idle periods

Agency:



## Specifications

**Product #:** 38700.0043  
**Water Access:** Plumbed  
**Finish:** Stainless  
**Funnel:** Gourmet Funnel  
**Faucet:** Upper

## Additional Features

Smart Funnel Compatible  
 BrewWISE

## Electrical & Capacity

Volts	Amps	Watts	Cord Attached	Plug Type	8oz cups/hr 236ml cups/hr	Input H <sup>2</sup> O Temp.	Phase	# Wires plus Ground	Hertz
120	13.3	1600	Yes	NEMA 5-15P	72	60°F (15.5°C)	1	2	60

## Plumbing Requirements

PSI	kPa	Fitting Supplied	Water Flow Required (GPM)
20-90	138-621	1/4" Male Flare Fitting	-

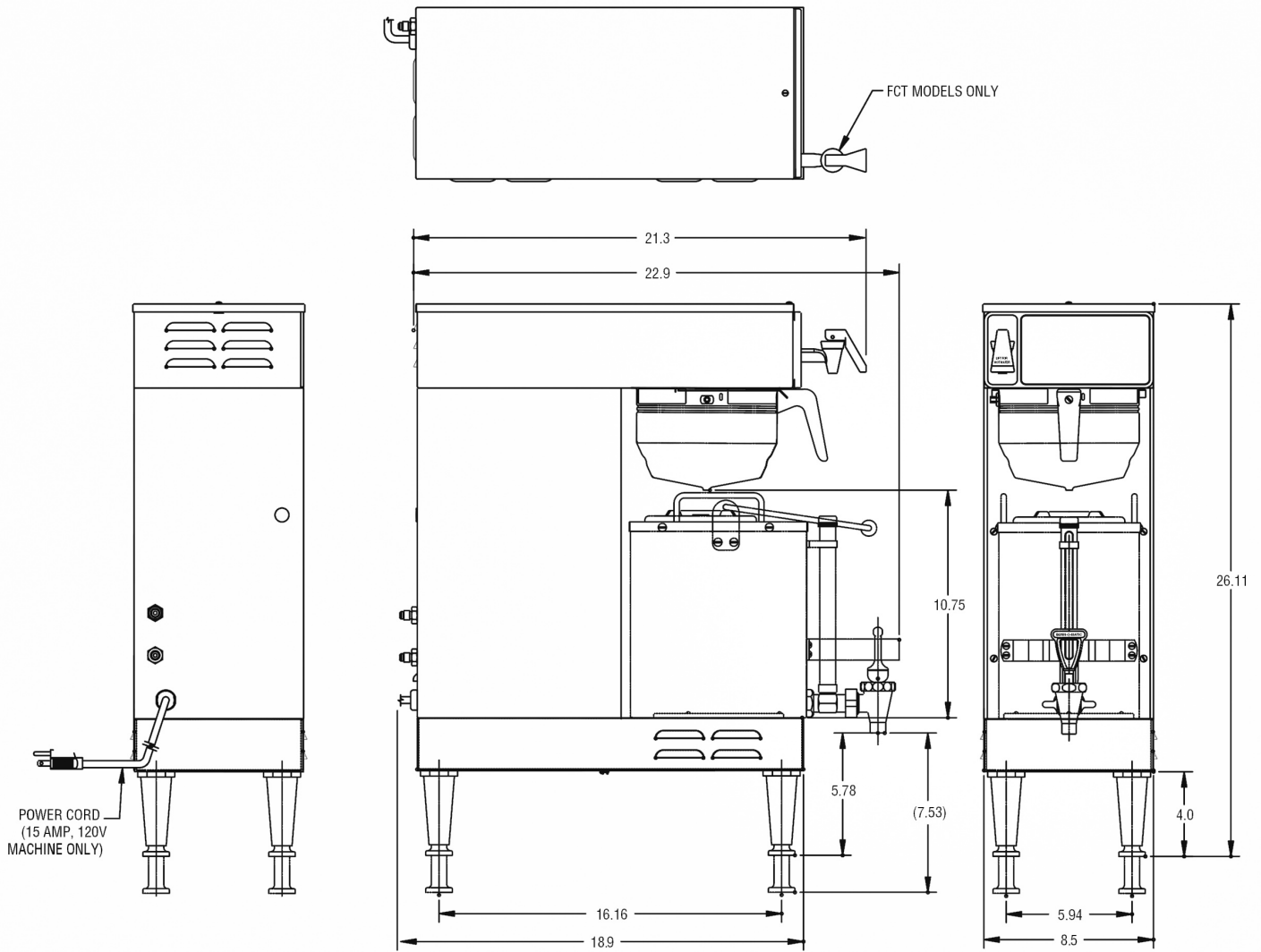
## CAD Drawings

2D	Revit	KLC
●		



BUNN® reserves the right to change specifications and product design without notice. Such revisions do not entitle the buyer to corresponding changes, improvements, additions or replacements for previously purchased equipment. For most current specifications and other info visit [bunn.com](http://bunn.com).

Created on:  
09/13/2017



	Unit			Shipping				
	Width	Height	Depth	Width	Height	Depth	Weight	Volume
English	8.4 in.	20.5 in.	22.1 in.	13.5 in.	30.1 in.	25.9 in.	42.200 lbs	5.454 ft <sup>3</sup>
Metric	21.3 cm	52.1 cm	56.1 cm	34.3 cm	76.5 cm	65.8 cm	19.142 kgs	0.154 m <sup>3</sup>



BUNN® reserves the right to change specifications and product design without notice. Such revisions do not entitle the buyer to corresponding changes, improvements, additions or replacements for previously purchased equipment. For most current specifications and other info visit [bunn.com](http://bunn.com).

Created on:  
09/13/2017

## Related Products & Accessories: Single AXIOM 15 GPR w/1.5 Gal Srvr(38700.0043)



RWS1, 120V

Product #: 12203.0010



PARRILLA

Product #: 12203.0010



RWS1, 120V-SATIN NKL  
LEGS

Product #: 12203.0014



FILTERS,C GOURMET  
500/2 50/CL

Product #: 20157.0001



PAPEL FILTRANTE

Product #: 20157.0001



WATER FILTER,  
EQHP-10

Product #: 39000.0004



CARTRIDGE,  
EQHP-10CRTG

Product #: 39000.1004



BUNN® reserves the right to change specifications and product design without notice. Such revisions do not entitle the buyer to corresponding changes, improvements, additions or replacements for previously purchased equipment. For most current specifications and other info visit [bunn.com](http://bunn.com).

Created on:  
09/13/2017

## Serving & Holding Options: Single AXIOM 15 GPR w/1.5 Gal Srvr(38700.0043)



1.5GPR-FF, TOP HNDL

Product #:20950.0004



CONTENEDOR

Product #:20950.0004



BUNN® reserves the right to change specifications and product design without notice. Such revisions do not entitle the buyer to corresponding changes, improvements, additions or replacements for previously purchased equipment. For most current specifications and other info visit [bunn.com](http://bunn.com).

Created on:  
09/13/2017