

NITRON® Cold Draft Scholle 4:1-12:1 wRDG

34.0" x 28.4" x 10.0"
(86.4cm x 72.1cm x 25.4cm)



- 11" x 6.5" graphic panel on the LED-lighted door can easily be changed - without tools- to promote unique brands or beverage offerings
- Serve different coffees or teas, one Nitro and one Still, using two 1/2- gallon concentrate Scholle BIBs
- Patented BUNN gas infusion technology can produce up to 3 minutes of cascading micro-bubbles
- Patented High Intensity® mixing chamber assures a perfectly blended finished beverage, from cup to cup
- Mounted on standard 3/8"-16 UNC threads, chrome plated brass tap handles are interchangeable with custom handles for a more authentic look
- Automatic water bath fill maintains water bath level for optimal cold beverage capacity
- Flashing red LED light on door alerts the operator when to replenish nitrogen tank
- At a rate of one 16oz drink per minute, can dispense 60 drinks before exceeding 41°F (75°F incoming water)
- Refrigerated product cabinet protects flavor integrity and product life
- Large dispense area accommodates taller cups and carafes up to 8.76"
- Service-friendly design makes set-up and maintenance simple

Agency:



Specifications

Product #: 51600.0020

Flavors: 2 Flavors

Product Ratio: 4:1-12:1

Connector: Ball-valve

Water Access: Plumbed

Finish: Black

Door: Lit

Refrigerant: R-134A

Ice Bank: 8.00 lbs (3.629 kgs)

Dispense: Pull & Hold

Additional Features

Electrical & Capacity

Volts	Amps	Watts	Cord Attached	Plug Type	8oz cups/hr 236ml cups/hr	Input H ₂ O Temp.	Phase	# Wires plus Ground	Hertz
120	6	720	Yes	NEMA 5-15P	-	60°F (15.5°C)	1	2	60

Plumbing Requirements

PSI	kPa	Fitting Supplied	Water Flow Required (GPM)
30-90	207-621	3/8" Male Flare Fitting	0.94

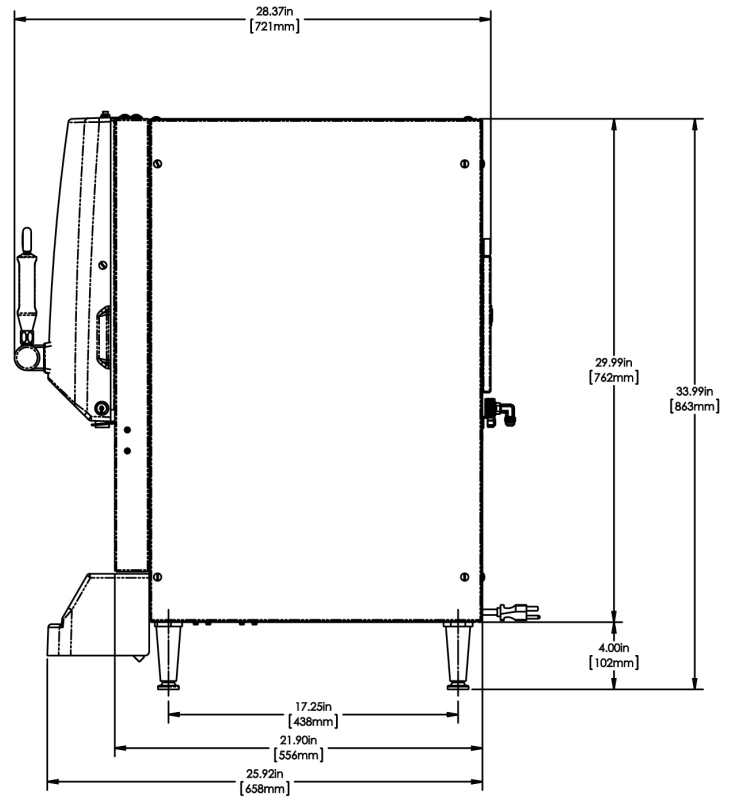
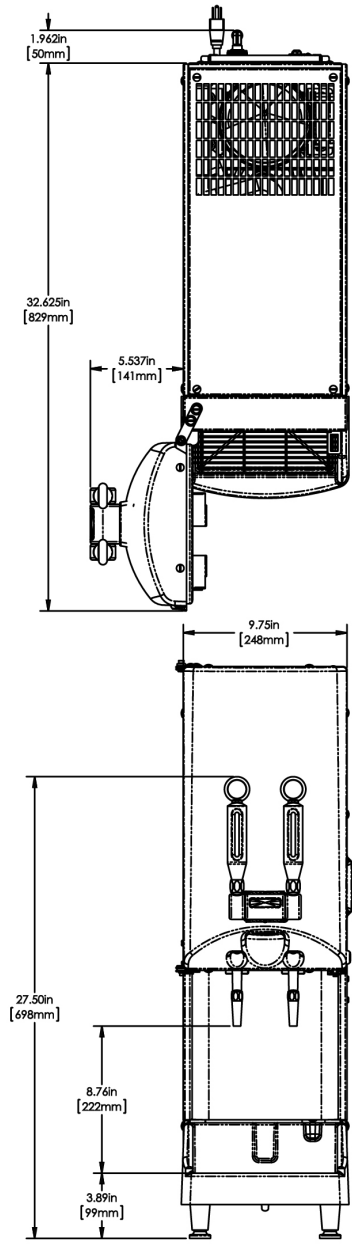
CAD Drawings

2D	Revit	KLC
●		



BUNN® reserves the right to change specifications and product design without notice. Such revisions do not entitle the buyer to corresponding changes, improvements, additions or replacements for previously purchased equipment. For most current specifications and other info visit bunn.com.

Created on:
10/26/2018




Unit			Shipping					
	Width	Height	Depth	Width	Height	Depth	Weight	Volume
English	10.0 in.	34.0 in.	28.4 in.	22.8 in.	43.7 in.	30.5 in.	130.000 lbs	17.586 ft³
Metric	25.4 cm	86.4 cm	72.1 cm	57.9 cm	111.0 cm	77.5 cm	58.968 kgs	0.498 m³



BUNN® reserves the right to change specifications and product design without notice. Such revisions do not entitle the buyer to corresponding changes, improvements, additions or replacements for previously purchased equipment. For most current specifications and other info visit bunn.com.

Created on:
10/26/2018

Related Products & Accessories: NITRON® Cold Draft Scholle 4:1-12:1 wRDG (51600.0020)



SANITIZER, KAY-5
(BOX-200 PKTS)

Product #: 24634.0000



SANITIZER, KAY-5
(BOX-50 PKTS)

Product #: 24634.0001




WATER FILTER,
EQHP-10

Product #: 39000.0004




WATER FILTER,
EQHP-5C

Product #: 39000.0014




KIT, PRIMARY N2
REGULATOR

Product #: 54060.0000



FITTING ASSEMBLY,
SCHOLLE QUICK
CONNECT

Product #: 55324.0000



TUBE ASSEMBLY,
EXTENSION QUICK
CONNECT

Product #: 55325.0000

Serving & Holding Options: NITRON® Cold Draft Scholle 4:1-12:1 wRDG(51600.0020)

Serving and Holding selections are currently unavailable. Please contact your sales representative to find out more information.



BUNN® reserves the right to change specifications and product design without notice. Such revisions do not entitle the buyer to corresponding changes, improvements, additions or replacements for previously purchased equipment. For most current specifications and other info visit bunn.com.

Created on:
10/26/2018