

# 84.5OZ(2.5L) TS no Base (6pk) S/S Liner

Height: 11.7" Width: 7.4" Depth: 8.7"  
(29.7cm) (18.8cm) (22.1cm)

•

\*Feature points are currently unavailable.\*



Agency:



## Specifications

**Product #:** 45882.0005

**Finish:** Black

**Handle:** Top Handle

**Liner:** Stainless Steel

## Additional Features

## Holding Capacity

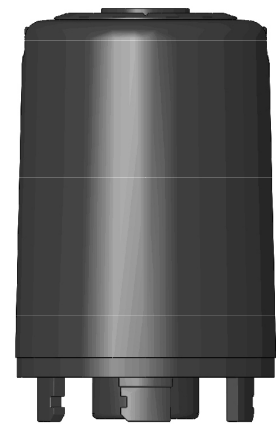
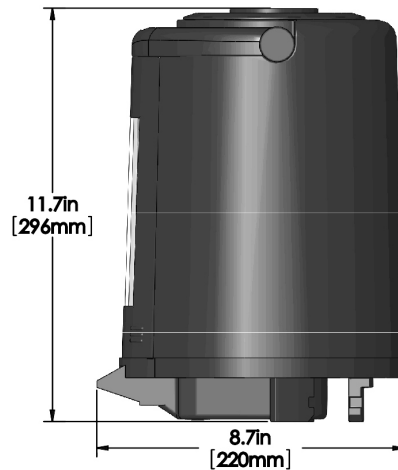
English	Metric
85 oz.	2.5 L

 **WARNING:**



BUNN® reserves the right to change specifications and product design without notice. Such revisions do not entitle the buyer to corresponding changes, improvements, additions or replacements for previously purchased equipment. For most current specifications and other info visit [bunn.com](http://bunn.com).

**Last Updated:**  
05/20/2022



	Unit			Shipping				
	Height	Width	Depth	Height	Width	Depth	Weight	Volume
English	11.7 in.	7.4 in.	8.7 in.	15.0 in.	16.5 in.	24.5 in.	38.100 lbs	3.509 ft <sup>3</sup>
Metric	29.7 cm	18.8 cm	22.1 cm	38.1 cm	41.9 cm	62.2 cm	17.282 kgs	0.099 m <sup>3</sup>



BUNN® reserves the right to change specifications and product design without notice. Such revisions do not entitle the buyer to corresponding changes, improvements, additions or replacements for previously purchased equipment. For most current specifications and other info visit [bunn.com](http://bunn.com).

Last Updated:  
05/20/2022

Related Products & Accessories: 84.5OZ(2.5L) TS no Base (6pk) S/S Liner(45882.0005)



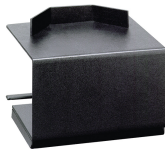
TSR-1, THERMAL SRVR  
RACK-1 POSN

Product #: 18008.6001



TSR-2, THERMAL SRVR  
RACK-2 POSN

Product #: 18008.6002



TSB, THERMAL SERVER  
BOOSTER

Product #: 18010.6000



BUNN® reserves the right to change specifications and product design without notice. Such revisions do not entitle the buyer to corresponding changes, improvements, additions or replacements for previously purchased equipment. For most current specifications and other info visit [bunn.com](http://bunn.com).

Last Updated:  
05/20/2022

# Model Compatibility: 84.5OZ(2.5L) TS no Base (6pk) S/S Liner(45882.0005)

\*Serving and Holding selections are currently unavailable. Please contact your sales representative to find out more information.\*



BUNN® reserves the right to change specifications and product design without notice. Such revisions do not entitle the buyer to corresponding changes, improvements, additions or replacements for previously purchased equipment. For most current specifications and other info visit [bunn.com](http://bunn.com).

Last Updated:  
05/20/2022