

1.5Gal(5.7L) TF Srvr no Base, MSG GEN3

14.7" x 11.9" x 9.1"
(37.3cm x 30.2cm x 23.1cm)



- Vacuum insulated to keep coffee hot for hours
- Brew-through design with flip lid cover
- Soft-grip bail handle for easy transportation
- Integrated sight gauge assembly allows for easy cleaning
- Sturdy aluminum faucet guard keeps faucet area clean and protected
- Fast flow faucet
- Ideal for use with Twin or Single Infusion Series Brewers

Agency:



Specifications

Product #: 44050.0250

Handle: Bail Handle

Liner: Stainless Steel

Dispense: Lever Action

Lid Color: Black

Additional Features

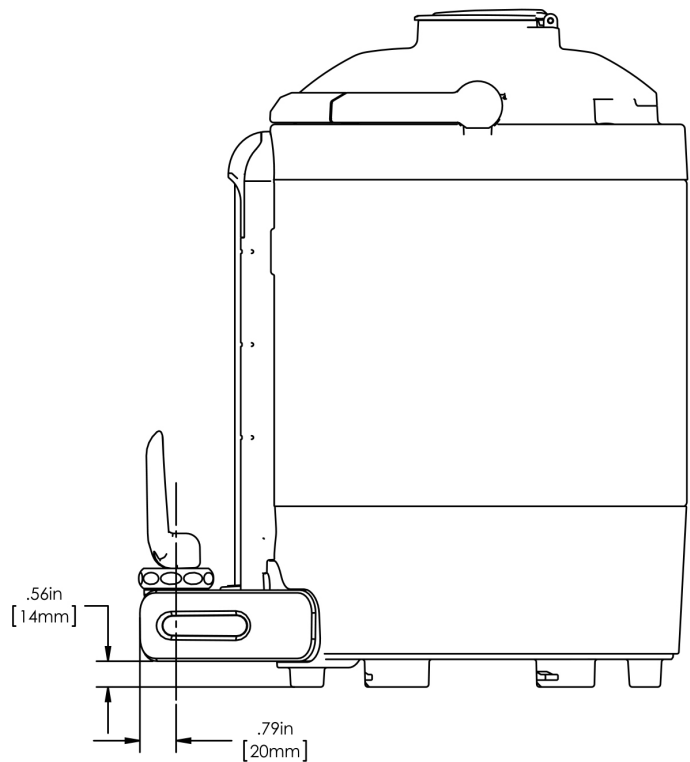
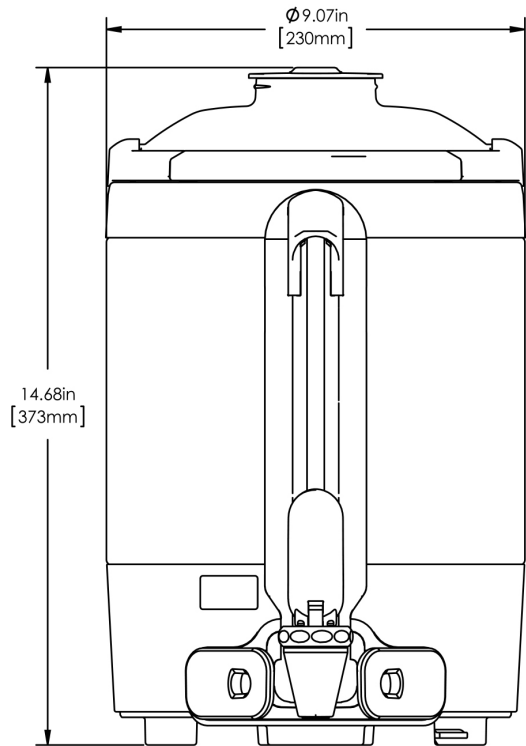
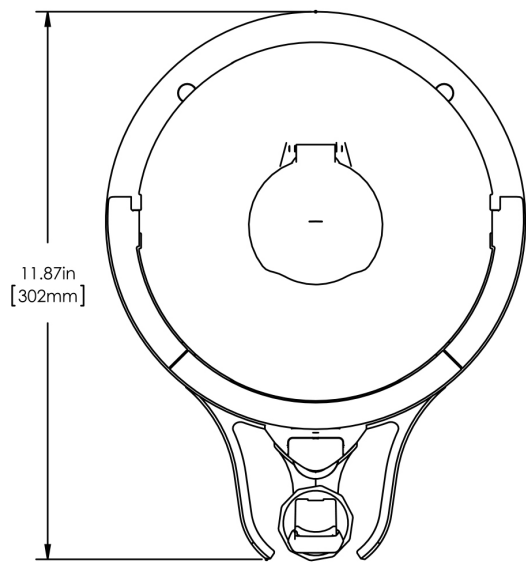
Holding Capacity

English	Metric
192 oz.	5.7 L



BUNN® reserves the right to change specifications and product design without notice. Such revisions do not entitle the buyer to corresponding changes, improvements, additions or replacements for previously purchased equipment. For most current specifications and other info visit bunn.com.

Created on:
01/25/2019



	Unit			Shipping				
	Width	Height	Depth	Width	Height	Depth	Weight	Volume
English	9.1 in.	14.7 in.	11.9 in.	11.9 in.	18.3 in.	17.5 in.	10.050 lbs	2.195 ft ³
Metric	23.1 cm	37.3 cm	30.2 cm	30.2 cm	46.4 cm	44.5 cm	4.559 kgs	0.062 m ³



BUNN® reserves the right to change specifications and product design without notice. Such revisions do not entitle the buyer to corresponding changes, improvements, additions or replacements for previously purchased equipment. For most current specifications and other info visit bunn.com.

Created on:
01/25/2019

Related Products & Accessories: 1.5Gal(5.7L) TF Srvr no Base, MSG GEN3(44050.0250)

STAND ASSY, TF
SERVER

Product #: 54473.0000



BUNN® reserves the right to change specifications and product design without notice. Such revisions do not entitle the buyer to corresponding changes, improvements, additions or replacements for previously purchased equipment. For most current specifications and other info visit bunn.com.

Created on:
01/25/2019

Model Compatibility: 1.5Gal(5.7L) TF Srvr no Base, MSG GEN3(44050.0250)

Serving and Holding selections are currently unavailable. Please contact your sales representative to find out more information.



BUNN® reserves the right to change specifications and product design without notice. Such revisions do not entitle the buyer to corresponding changes, improvements, additions or replacements for previously purchased equipment. For most current specifications and other info visit bunn.com.

Created on:
01/25/2019