

# 1Gal (3.8L) Lever Action Airpot (6pk)

17.7" x 9.0" x 6.3"  
(45.0cm x 22.9cm x 16.0cm)

\*Feature points are currently unavailable.\*



Agency:



## Specifications

**Product #:** 36725.0100

**Finish:** Stainless/Black

**Liner:** Stainless Steel

**Dispense:** Lever Action

**Lid Color:** Black

## Additional Features

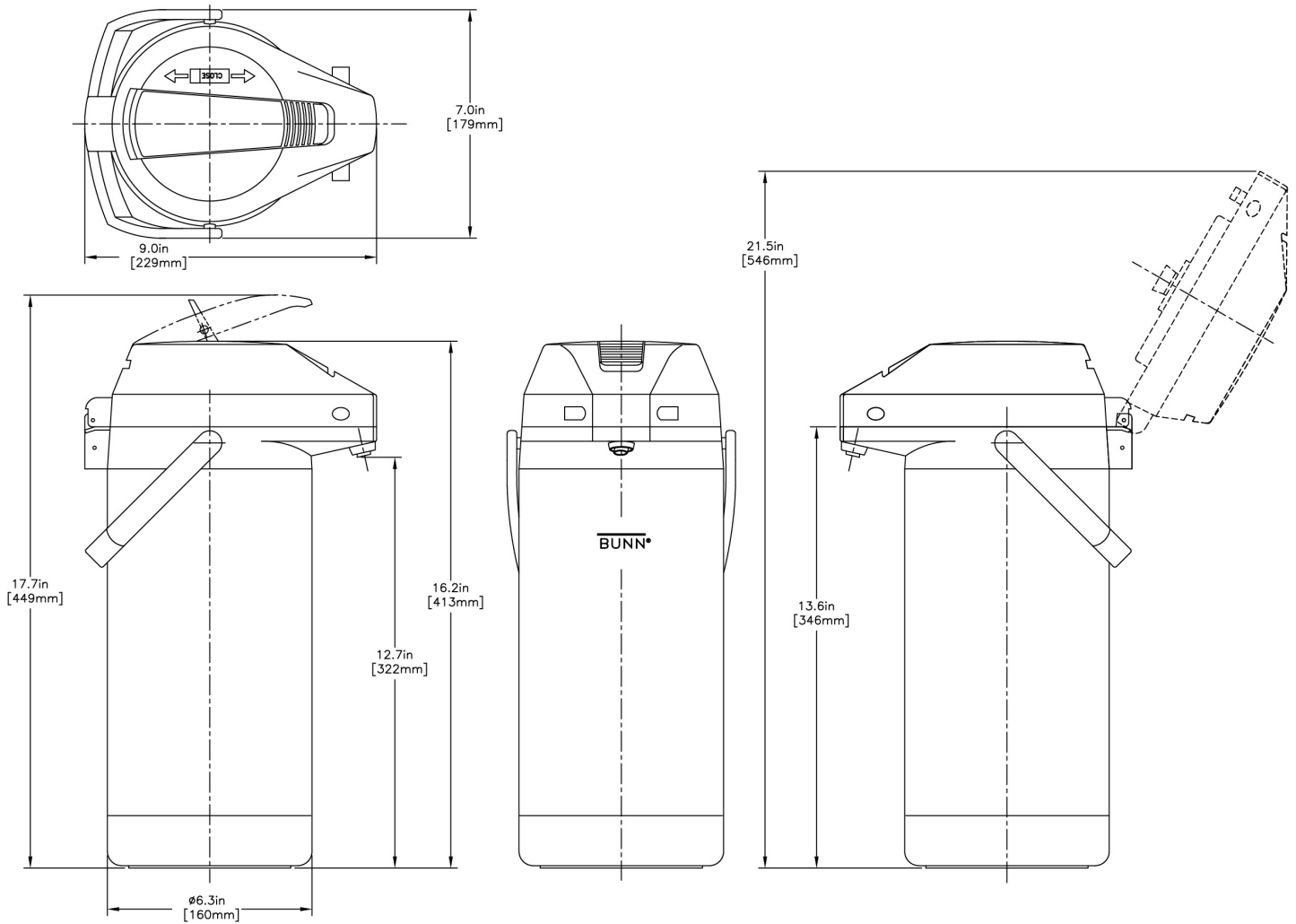
## Holding Capacity

English	Metric
-	-



BUNN® reserves the right to change specifications and product design without notice. Such revisions do not entitle the buyer to corresponding changes, improvements, additions or replacements for previously purchased equipment. For most current specifications and other info visit [bunn.com](http://bunn.com).

Created on:  
08/31/2017



	Unit			Shipping				
	Width	Height	Depth	Width	Height	Depth	Weight	Volume
English	6.3 in.	17.7 in.	9.0 in.	-	-	-	37.450 lbs	4.950 ft <sup>3</sup>
Metric	16.0 cm	45.0 cm	22.9 cm	-	-	-	16.987 kgs	0.140 m <sup>3</sup>



BUNN® reserves the right to change specifications and product design without notice. Such revisions do not entitle the buyer to corresponding changes, improvements, additions or replacements for previously purchased equipment. For most current specifications and other info visit [bunn.com](http://bunn.com).

Created on:  
08/31/2017

## Related Products & Accessories: 1Gal (3.8L) Lever Action Airpot (6pk)(36725.0100)



RACK ASSY,UNIV-2  
APR-1 L/1U

Product #: 35728.0000



RACK ASSY,UNIV-2-APR  
2 L

Product #: 35728.0001



RACK ASSY,UNIV-3  
APR-3 L

Product #: 35728.0002



RACK ASSY,UNIV-4  
APR-2 L/2U

Product #: 35728.0003



RACK ASSY,UNIV-5  
APR-2 L/3U

Product #: 35728.0004



RACK ASSY,UNIV-6  
APR-3 L/3U

Product #: 35728.0005



BUNN® reserves the right to change specifications and product design without notice. Such revisions do not entitle the buyer to corresponding changes, improvements, additions or replacements for previously purchased equipment. For most current specifications and other info visit [bunn.com](http://bunn.com).

Created on:  
08/31/2017