

# CWTF-DV-TC

18.4" x 21.5" x 9.0"  
(46.7cm x 54.6cm x 22.9cm)



- Models are space saving 9" wide (22.9cm)
- Accepts thermal carafe up to 8.5" (21.6 cm) tall
- All stainless steel construction
- Hot water faucet and pourover feature
- SplashGard® funnel deflects hot liquids away from the hand
- Use in quick turn environments where high quality coffee is continuously refreshed
- Dual voltage adaptable (Can operate at 120V/15 amp or 120/208-240V/20 amp)

Servers and airpots sold separately

Agency:



## Specifications

**Product #:** 23001.0069

**Water Access:** Plumbed

**Finish:** Stainless

**Funnel:** Black Plastic

**Faucet:** Upper

## Additional Features

## Electrical & Capacity

| Volts   | Amps | Watts | Cord Attached | Plug Type | 8oz cups/hr<br>236ml cups/hr | Input H <sub>2</sub> O<br>Temp. | Phase | # Wires<br>plus Ground | Hertz |
|---------|------|-------|---------------|-----------|------------------------------|---------------------------------|-------|------------------------|-------|
| 120     | 11.4 | 1370  | No            | -         | -                            | 60°F (15.5°C)                   | 1     | 2                      | 60    |
| 120/208 | 11   | 2750  | -             | N/A       | 960                          | 60°F (15.5°C)                   | -     | -                      | -     |
| 120/240 | 13   | 3170  | -             | N/A       | 960                          | 60°F (15.5°C)                   | -     | -                      | -     |

## Plumbing Requirements

| PSI   | kPa     | Fitting Supplied        | Water Flow Required (GPM) |
|-------|---------|-------------------------|---------------------------|
| 20-90 | 138-621 | 1/4" Male Flare Fitting | -                         |

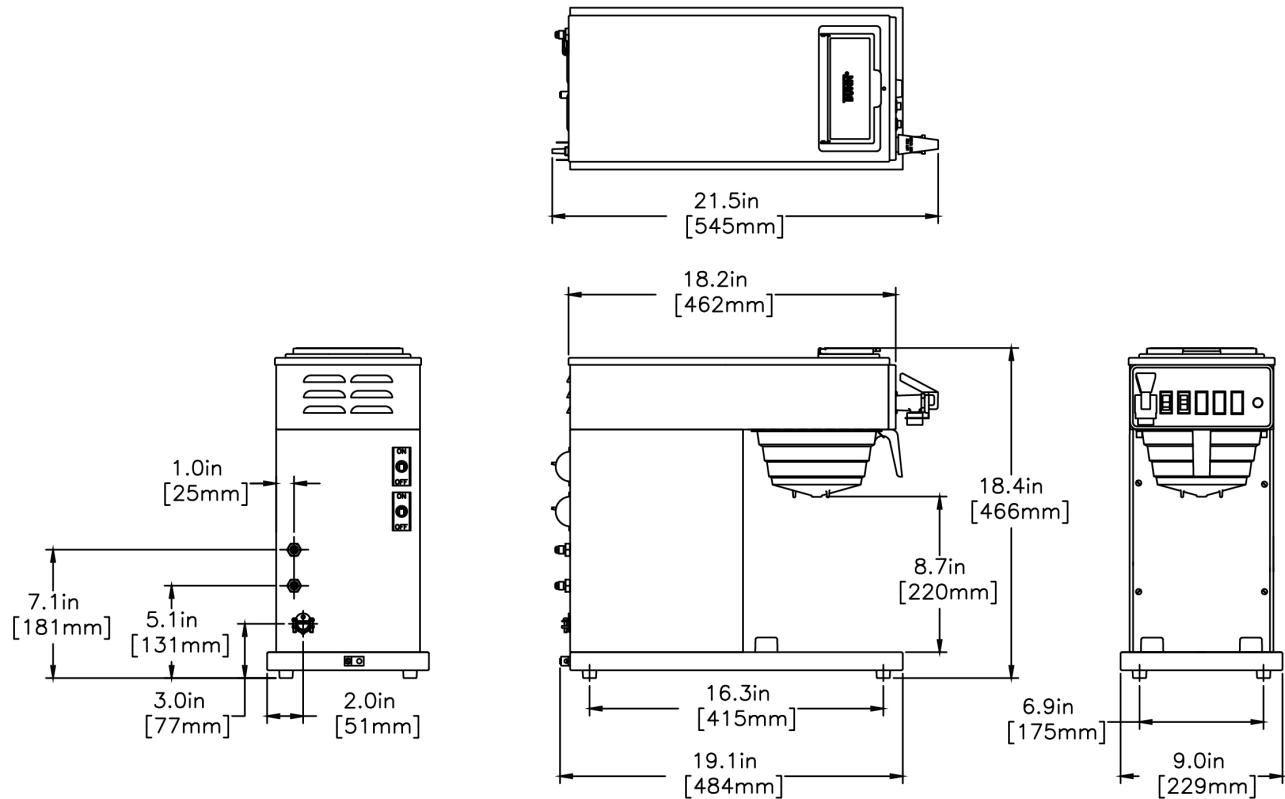
## CAD Drawings

| 2D | Revit | KLC |
|----|-------|-----|
| ●  |       |     |



BUNN® reserves the right to change specifications and product design without notice. Such revisions do not entitle the buyer to corresponding changes, improvements, additions or replacements for previously purchased equipment. For most current specifications and other info visit [bunn.com](http://bunn.com).

Created on:  
09/15/2017



|         | Unit    |          |          | Shipping |          |          |            |                       |
|---------|---------|----------|----------|----------|----------|----------|------------|-----------------------|
|         | Width   | Height   | Depth    | Width    | Height   | Depth    | Weight     | Volume                |
| English | 9.0 in. | 18.4 in. | 21.5 in. | 11.9 in. | 24.8 in. | 25.9 in. | 33.350 lbs | 4.581 ft <sup>3</sup> |
| Metric  | 22.9 cm | 46.7 cm  | 54.6 cm  | 30.2 cm  | 63.0 cm  | 65.8 cm  | 15.128 kgs | 0.130 m <sup>3</sup>  |



BUNN® reserves the right to change specifications and product design without notice. Such revisions do not entitle the buyer to corresponding changes, improvements, additions or replacements for previously purchased equipment. For most current specifications and other info visit [bunn.com](http://bunn.com).

Created on:  
09/15/2017

Related Products & Accessories: CWTF-DV-TC(23001.0069)



FILTERS,REGULAR1M  
500/2 50/CL

Product #: 20115.0000



PAPEL FILTRANTE

Product #: 20115.0000



FUNNEL W/DECALS,  
BLACK PLASTIC

Product #: 20583.0003



EMBUDOS

Product #: 20583.0003



WATER FILTER  
SYSTEM,EQ-17-TL

Product #: 30200.1000



BUNN® reserves the right to change specifications and product design without notice. Such revisions do not entitle the buyer to corresponding changes, improvements, additions or replacements for previously purchased equipment. For most current specifications and other info visit [bunn.com](http://bunn.com).

Created on:  
09/15/2017

# Serving & Holding Options: CWTF-DV-TC(23001.0069)



THERMAL CARAFE, BLK  
1.9L 12PK

Product #:36029.0000



THERMAL CARAFE, BLK  
1.9L 1PK

Product #:36029.0001



JARRAS CON  
ACCESORIOS

Product #:36029.0001



THERMAL CARAFE, ORN  
1.9L 12PK

Product #:36252.0000



THERMAL CARAFE, ORN  
1.9L 1PK

Product #:36252.0001



JARRAS CON  
ACCESORIOS

Product #:36252.0001



CARAFE, SST 1.9L SHRT  
BLK 1/

Product #:40163.0000



JARRAS

Product #:40163.0000



CARAFE, SST 1.9L SHRT  
ORN 1/

Product #:40163.0001



CARAFE, SST 1.9L SHRT  
BLK 12/

Product #:40163.0100



CARAFE, SST 1.9L SHRT  
ORN 12/

Product #:40163.0101



BUNN® reserves the right to change specifications and product design without notice. Such revisions do not entitle the buyer to corresponding changes, improvements, additions or replacements for previously purchased equipment. For most current specifications and other info visit [bunn.com](http://bunn.com).

Created on:  
09/15/2017