

# CWTF15-3, SF (3 Lower Warmers)

17.3" x 21.4" x 16.4"  
(43.9cm x 54.4cm x 41.7cm)

- All stainless steel construction
- Hot water faucet and pourover feature
- SplashGard® funnel deflects hot liquids away from the hand



 Servers and airpots sold separately

Agency:



## Specifications

**Product #:** 12950.0216

**Warmers:** Three Lower

**Water Access:** Plumbed

**Finish:** Stainless

**Funnel:** Stainless Steel

**Faucet:** Upper

## Additional Features

Low Profile

Pourover Option

## Electrical & Capacity

Volts	Amps	Watts	Cord Attached	Plug Type	8oz cups/hr 236ml cups/hr	Input H <sub>2</sub> O Temp.	Phase	# Wires plus Ground	Hertz
120	13.9	1670	Yes	NEMA 5-15P	62	60°F (15.5°C)	1	2	60

## Plumbing Requirements

PSI	kPa	Fitting Supplied	Water Flow Required (GPM)
20-90	138-621	1/4" Male Flare Fitting	-

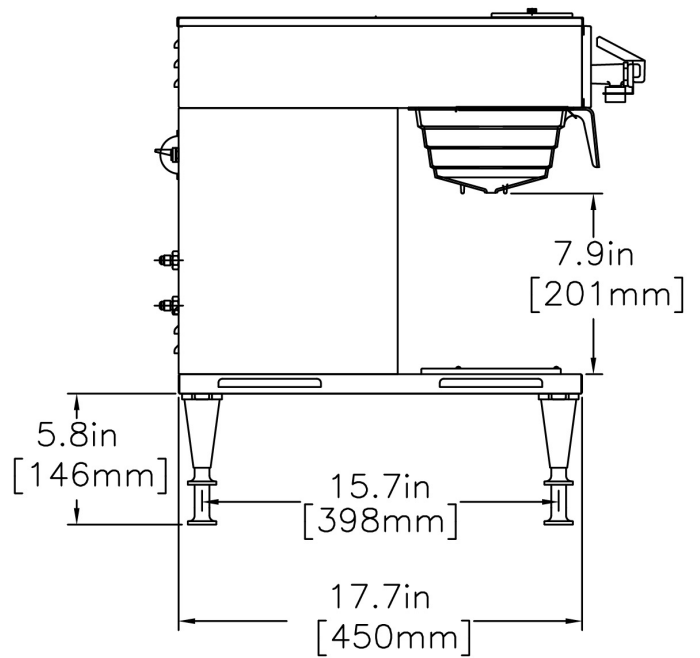
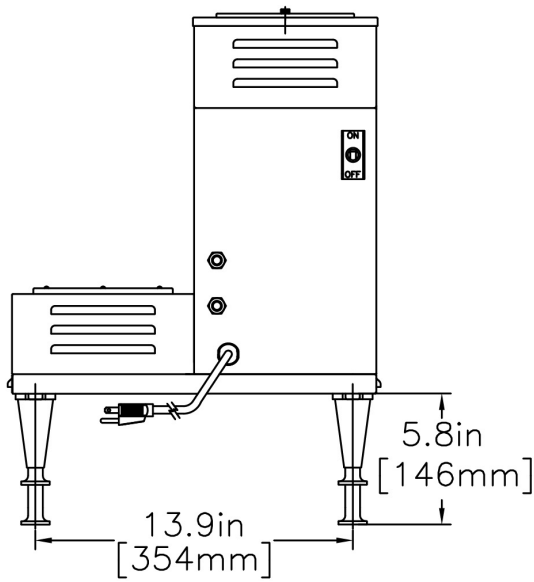
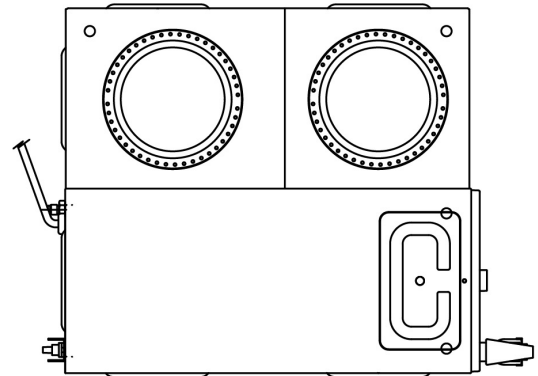
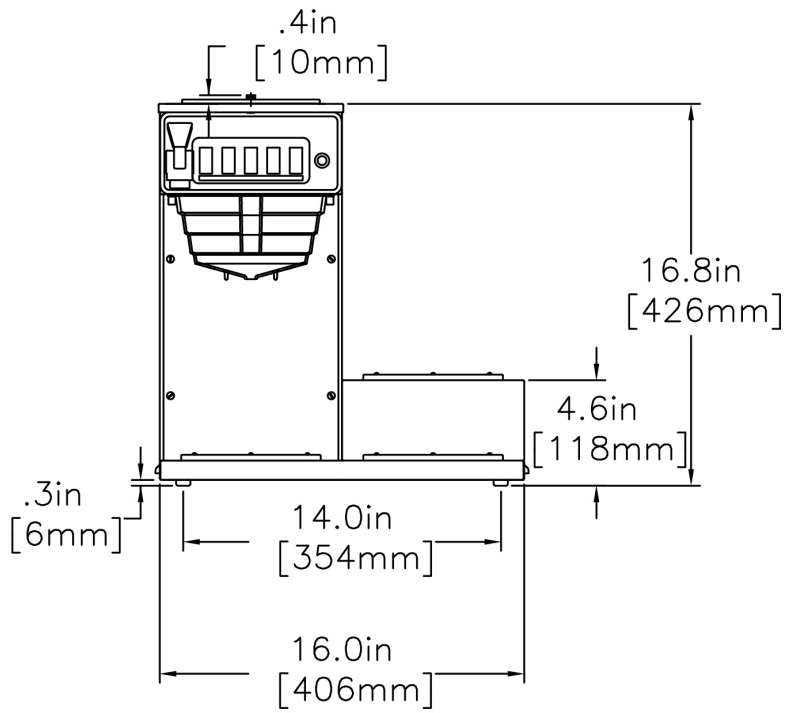
## CAD Drawings

2D	Revit	KLC
●		



BUNN® reserves the right to change specifications and product design without notice. Such revisions do not entitle the buyer to corresponding changes, improvements, additions or replacements for previously purchased equipment. For most current specifications and other info visit [bunn.com](http://bunn.com).

Created on:  
09/13/2017



	Unit			Shipping				
	Width	Height	Depth	Width	Height	Depth	Weight	Volume
English	16.4 in.	17.3 in.	21.4 in.	19.9 in.	22.4 in.	25.8 in.	43.000 lbs	5.939 ft <sup>3</sup>
Metric	41.7 cm	43.9 cm	54.4 cm	50.5 cm	56.9 cm	65.5 cm	19.505 kgs	0.168 m <sup>3</sup>



BUNN® reserves the right to change specifications and product design without notice. Such revisions do not entitle the buyer to corresponding changes, improvements, additions or replacements for previously purchased equipment. For most current specifications and other info visit [bunn.com](http://bunn.com).

Created on:  
09/13/2017

## Related Products & Accessories: CWTF15-3, SF (3 Lower Warmers)(12950.0216)



FILTERS,REGULAR1M  
500/2 50/CL

Product #: 20115.0000



PAPEL FILTRANTE

Product #: 20115.0000



FUNNEL ASSY, SST-BLK  
HDL(7.12

Product #: 20216.0000



EMBUDOS

Product #: 20216.0000



WATER FILTER  
SYSTEM,EQ-17-TL

Product #: 30200.1000



WATER FILTER,IN LINE  
ED-17-TL

Product #: 30201.1001



BUNN® reserves the right to change specifications and product design without notice. Such revisions do not entitle the buyer to corresponding changes, improvements, additions or replacements for previously purchased equipment. For most current specifications and other info visit [bunn.com](http://bunn.com).

Created on:  
09/13/2017

# Serving & Holding Options: CWTF15-3, SF (3 Lower Warmers)(12950.0216)

				
EASY POUR,(BLK) 1/CS Product #:06100.0101	EASY POUR,(BLK) 2/CS Product #:06100.0102	JARRAS Product #:06100.0102	EASY POUR,(BLK) 3/CS Product #:06100.0103	JARRAS Product #:06100.0103
				
EASY POUR,(BLK) 6/CS Product #:06100.0106	JARRAS Product #:06100.0106	EASY POUR,(BLK) 12/CS Product #:06100.0112	EASY POUR,(BLK) 24/CS Product #:06100.0124	EASY POUR,(BLK) 6-1/2 CS Product #:06100.0156
				
EASY POUR,(ORN) 1/CS Product #:06101.0101	EASY POUR,(ORN) 2/CS Product #:06101.0102	JARRAS Product #:06101.0102	EASY POUR,(ORN) 3/CS Product #:06101.0103	EASY POUR,(ORN) 6/CS Product #:06101.0106
				
JARRAS Product #:06101.0106	EASY POUR,(ORN) 12/CS Product #:06101.0112	EASY POUR,(ORN) 24/CS Product #:06101.0124	DECANTER,GLASS-BLK 12C 24/CS Product #:42400.0024	DECANTER,GLASS-BLK 12CUP 1PK Product #:42400.0101



BUNN® reserves the right to change specifications and product design without notice. Such revisions do not entitle the buyer to corresponding changes, improvements, additions or replacements for previously purchased equipment. For most current specifications and other info visit [bunn.com](http://bunn.com).

Created on:  
09/13/2017

## Serving & Holding Options: CWTF15-3, SF (3 Lower Warmers)(12950.0216)



DECANTER, GLASS-BLK  
12C 3/CS

Product #:42400.0103



DECANTER, GLASS-ORN  
12C 24/CS

Product #:42401.0024



DECANTER, GLASS-  
ORN 12 CUP 1PK

Product #:42401.0101



DECANTER, GLASS-ORN  
12C 3/CS

Product #:42401.0103



BUNN® reserves the right to change specifications and product design without notice. Such revisions do not entitle the buyer to corresponding changes, improvements, additions or replacements for previously purchased equipment. For most current specifications and other info visit [bunn.com](http://bunn.com).

Created on:  
09/13/2017