

*Blueair by*  
**BLUENIX**

MODEL ES30XX

# Equipment Stands

High polished  
430 Series  
stainless steel top.



## STANDARD FEATURES



**High polished 430 Series stainless steel top**  
16 gauge heavy duty stainless steel top



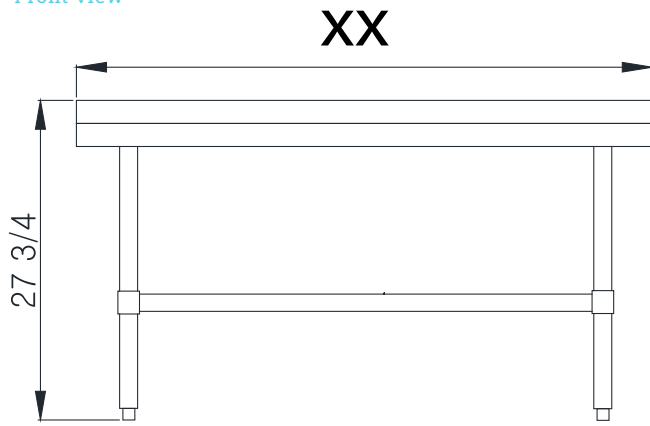
**Adjustable under shelf**  
Enhanced Functionality.



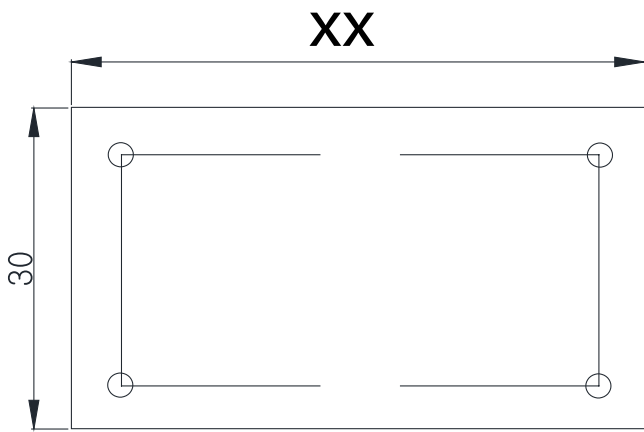
**Galvanized steel Under shelf & legs with bullet feet**  
Built to Last with Sturdy Under Shelf & Legs, Featuring Bullet Feet.

**MODEL ES30XX**

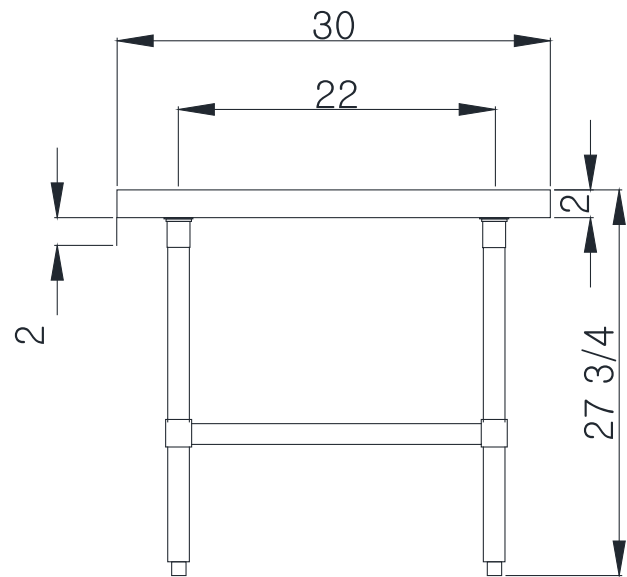
Front view



Top view



Side view



Model

Cabinet Dimensions  
(inches/mm)

Weight  
(lbs/kg)

Model	Cabinet Dimensions (inches/mm)			Weight (lbs/kg)	
	L	D	H	Net Weight	Ship Weight
ES3012	12" (305mm)	30" (762mm)	27 3/4" (705mm)	34(15)	37(17)
ES3024	24" (610mm)	30" (762mm)	27 3/4" (705mm)	41(19)	45(21)
ES3036	36" (915mm)	30" (762mm)	27 3/4" (705mm)	57(26)	62(28)
ES3048	48"(1220mm)	30" (762mm)	27 3/4" (705mm)	70(32)	77(35)
ES3060	60"(1524mm)	30" (762mm)	27 3/4" (705mm)	83(38)	91(42)
ES3072	72"(1829mm)	30" (762mm)	27 3/4" (705mm)	96(44)	105(48)

*Blueair by*  
**BLUENIX**

BLUE AIR has right to change specifications without further notice.



blueairfse.com



orders@blueairfse.com



1.886.677.8500



223 W. Rosecrans Ave., CA 90248  
T: 310.808.0102

9 W. Shelton Terrace #A, Hillside, NJ 07205  
T: 908-688-0970