

PROJECT:	
MODEL #:	
ITEM #:	QTY:
AVAILABLE W/H:	APPROVAL:

Corner Sink



STANDARD FEATURES

- Entire ASSEMBLY is fused Welded, shielded and polished to create a one piece seamless sink Unit
- Welded areas are high-speed belt blended to match adjacent surfaces with the continuity of a satin finish
- Swirl away bowl drainage
- Adjustable ABS bullet feet
- All sink compartments are covered With a full 5/8" radius
- Stainless Steel cross braced legs and gussets for additional strength and stability
- All Sink Models Equipped with standard strainers with Brass Fittings instead of Aluminum
- Die-stamped creased drain boards for positive drainage



Conforms to NSF/ANSI 2

WARRANTY

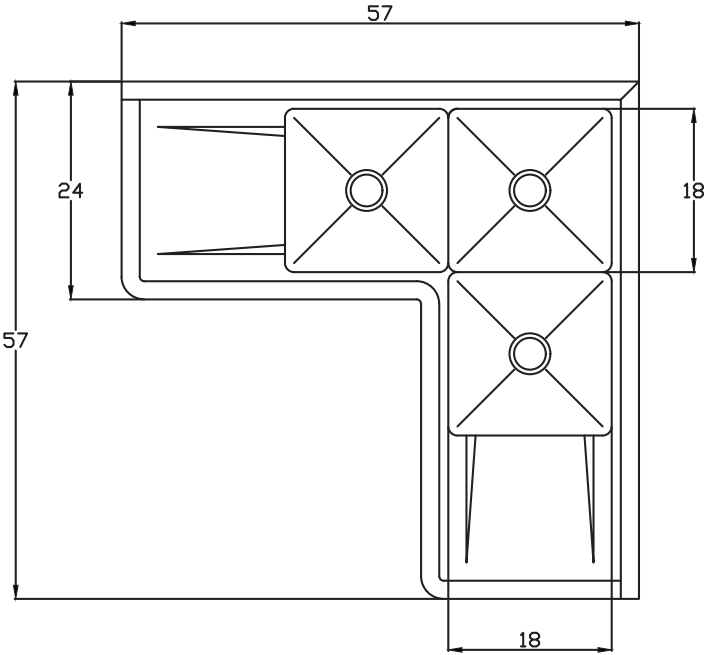
APPROVALS:

AVAILABLE AT:

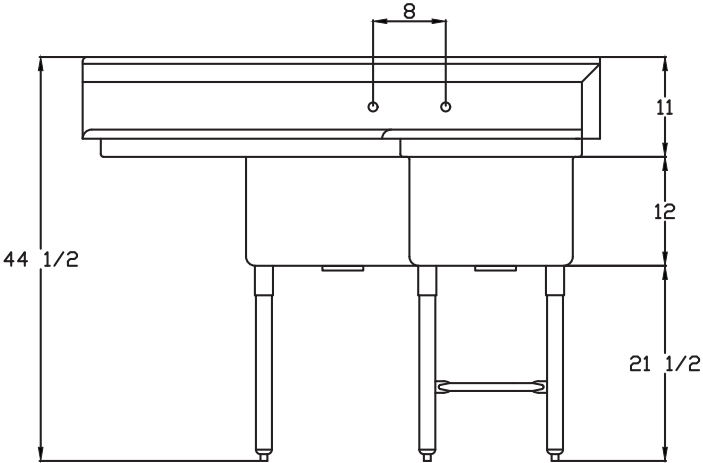
Corner Sink

PRODUCT PLAN VIEW

- Top View -



- Front View -



3C18-12L-2D

PRODUCT SPECIFICATION

Corner Sinks

Model	Description	Overall Size (inches / mm)			Bowl Size (inches / mm)			Net Weight (lbs/kg)	Ship Weight (lbs/kg)
		L	D	H	L	D	H		
3C18-12L-2D	3 Compartment (Corner Sink)	57 1/4"(1454)	57 1/4"(1454)	44 1/2"(1130)	18"(458)	18"(458)	12"(305)	91(41)	140(64)

*BLUE AIR has the right to change specifications without further notice.