








BLUELAVA



GAS RANGE BLR60-10B / 10 Burner Gas Range

PRODUCT DESCRIPTION

-  12" x 12" Heavy Duty, removable cast iron Burner Grates
-  Oven Temperature Range - 175 F to 500 F
-  3/4" NPT rear gas connection and regulator standard.
-  Two Chrome racks per oven section standard. Interior offers multiple position rack guides.
-  Porcelainized interior for easy cleaning
-  6" casters with lock for easy mobility.
-  High quality stainless steel & robust design



MODEL#	DIMENSIONS		
	Width	Depth	Height
BLR60-10B	60 in	31 1/2 in	56 in

* All measures are presented in Inches



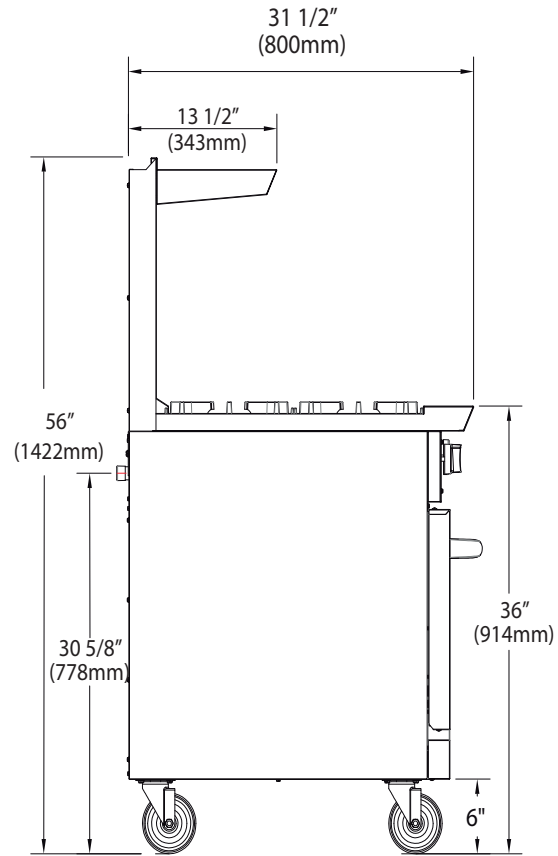
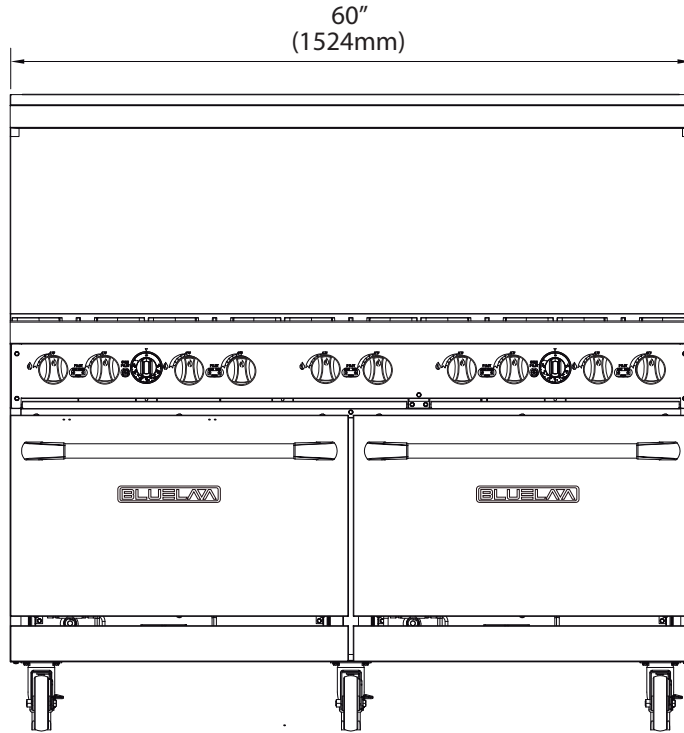
223 W. Rosecrans Ave. Gardena, CA 90248
T : 310.808.0102
F:310.808.0242

9 W. Shelton Terrace #A Hillside, NJ 07025
T : 908.688.0970
F : 908.688.8143

DETAILS & SPECIFICATIONS

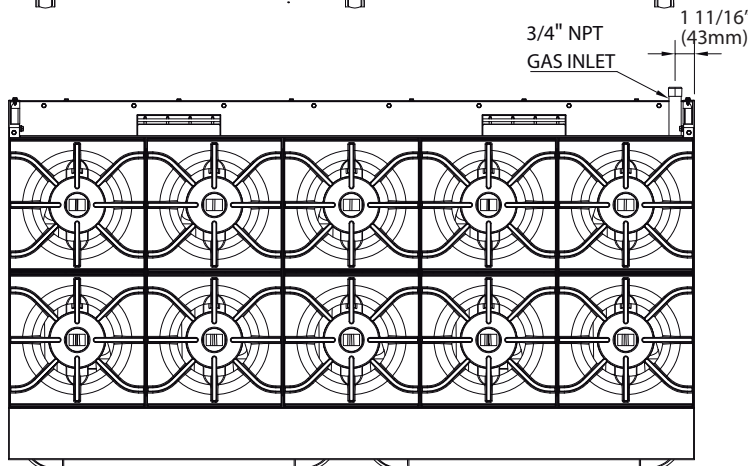
GAS RANGE **BLR60-10B / 10 Burner Gas Rang**

Front View



Side View

Top View



BLR60-10B		LPG		NG	
GAS TYPE LPG/NG WORKING AREA 60" x 24"	BURNERS	Hot Plate	Oven	Hot Plate	Oven
	BTU/H PER BUNER	10	2	10	2
	NOZZLE #	30,000	35,000	33,000	35,000
	TOTAL OUTPUT BTU	52	49	41	38
	GAS PRESSURE	300,000	70,000	400,000	70,000
		10		5	

Model	Packaging Dimensions (inches)			Net Weight (lbs)	Ship Weight (lbs)	Container Capacity 40' HQ
	W	D	H			
BLR60-10B	62"	36 4/5"	38 1/5"	597.52	716.10	44