








# BLUELVA



## GAS RANGE BLR36-6B / 6 Burner Gas Range

### PRODUCT DESCRIPTION

-  12" x 12" Heavy Duty, removable cast iron Burner Grates
-  Oven Temperature Range - 175 F to 500 F
-  3/4" NPT rear gas connection and regulator standard.
-  Two Chrome racks per oven section standard. Interior offers multiple position rack guides.
-  Porcelainized interior for easy cleaning
-  6" casters with lock for easy mobility.
-  High quality stainless steel & robust design



Cooking



Knobs



MODEL#	DIMENSIONS		
	Width	Depth	Height
BLR36-6B	36 in	31 1/2 in	56 in

\* All measures are presented in Inches

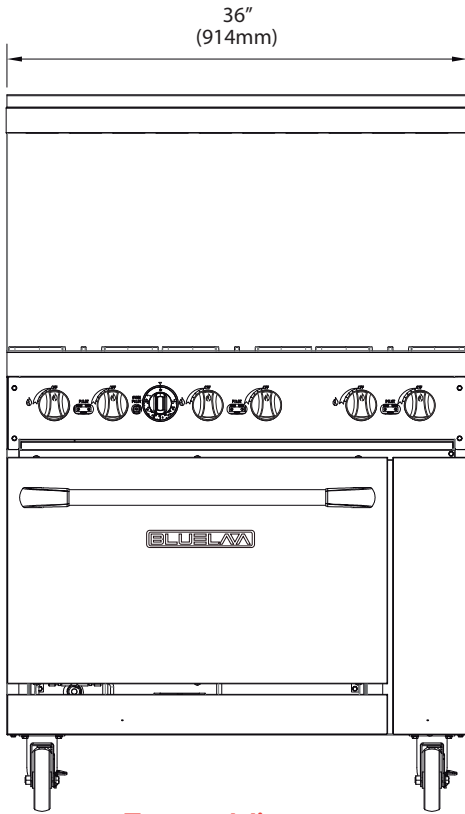


223 W. Rosecrans Ave. Gardena, CA 90248  
T : 310.808.0102  
F:310.808.0242

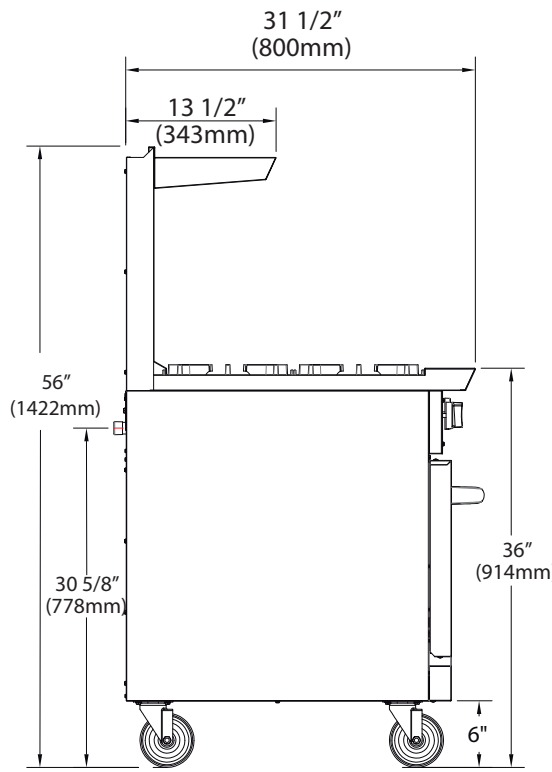
9 W. Shelton Terrace #A Hillside, NJ 07025  
T : 908.688.0970  
F : 908.688.8143

# DETAILS & SPECIFICATIONS

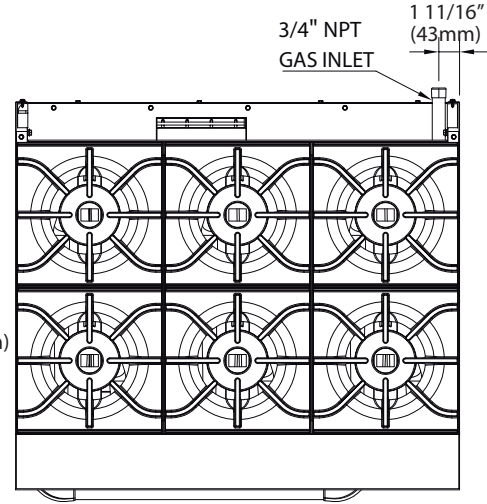
## **GAS RANGE** **BLR36-6B / 6 Burner Gas Rang**



Front View



Side View



Top View

BLR36-6B		LPG		NG	
		Hot Plate	Oven	Hot Plate	Oven
<b>GAS TYPE</b> LPG/NG <b>WORKING AREA</b> 36" x 24"	<b>BURNERS</b>	6	1	6	1
	<b>BTU/H PER BUNER</b>	30,000	35,000	33,000	35,000
	<b>NOZZLE #</b>	52	49	41	38
	<b>TOTAL OUTPUT BTU</b>	180,000	35,000	198,000	35,000
	<b>GAS PRESSURE</b>	10		5	

Model	Packaging Dimensions (inches)			Net Weight (lbs)	Ship Weight (lbs)	Container Capacity 40' HQ
	W	D	H			
BLR36-6B	38"	36 4/5"	38 1/5"	384.96	438.68	52