








BLUELAVA



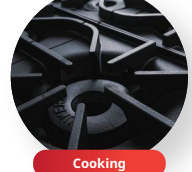
GAS RANGE BLR24-4B / 4 Burner Gas Range

PRODUCT DESCRIPTION

-  12" x 12" Heavy Duty, removable cast iron Burner Grates
-  Oven Temperature Range - 175 F to 500 F
-  3/4" NPT rear gas connection and regulator standard.
-  Two Chrome racks per oven section standard. Interior offers multiple position rack guides.
-  Porcelainized interior for easy cleaning
-  6" casters with lock for easy mobility.
-  High quality stainless steel & robust design



Knobs



Cooking



MODEL #

DIMENSIONS

Width Depth Height

BLR24-4B

24 in

31 1/2 in

56 in

* All measures are presented in Inches

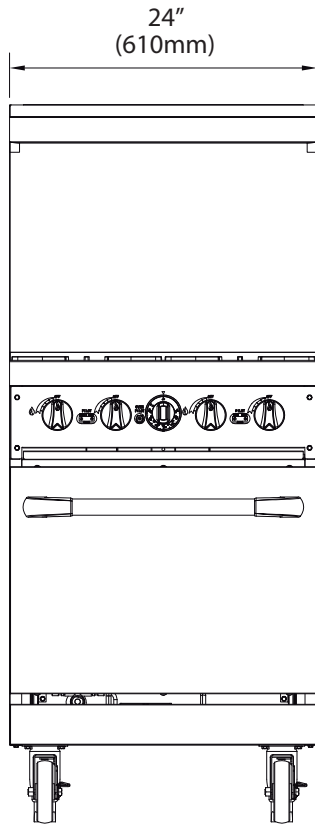


223 W. Rosecrans Ave. Gardena, CA 90248
T : 310.808.0102
F:310.808.0242

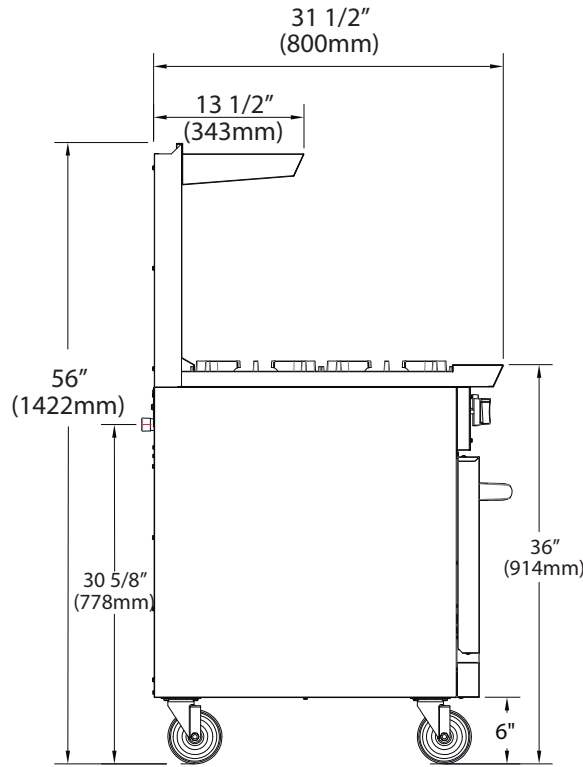
9 W. Shelton Terrace #A Hillside, NJ 07025
T : 908.688.0970
F : 908.688.8143

DETAILS & SPECIFICATIONS

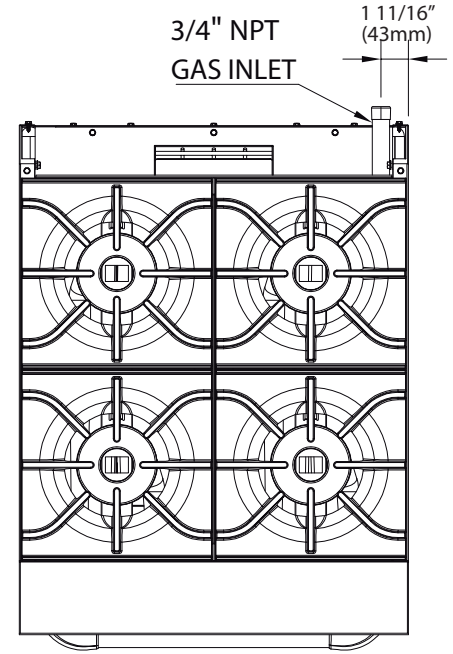
GAS RANGE **BLR24-4B / 4 Burner Gas Range**



Front View



Side View



Top View

BLR24-4B		LPG		NG	
		Hot Plate	Oven	Hot Plate	Oven
GAS TYPE LPG/NG <hr/> WORKING AREA 24" x 24"	BURNERS	4	1	4	1
	BTU/H PER BUNER	30,000	30,000	33,000	30,000
	NOZZLE #	52	52	41	40
	TOTAL BTU/H	120,000	30,000	132,000	30,000
	GAS PRESSURE	10		5	

Model	Packaging Dimensions (inches)			Net Weight (lbs)	Ship Weight (lbs)	Container Capacity 40' HQ
	W	D	H			
BLR24-4B	26"	36 4/5"	38 1/5"	267.94	335.94	86