

# Blueair by BLUENIX

MODEL BLIB-950S

# ICE BINS

Designed to prevent water overflow and increase ventilation..



## Stainless steel cabinet construction

With blue bin door and trim. Polyethylene bin liner for sanitary storage.



## Surfaces are designed for easy cleaning.

Simplifying Maintenance and Hygiene.



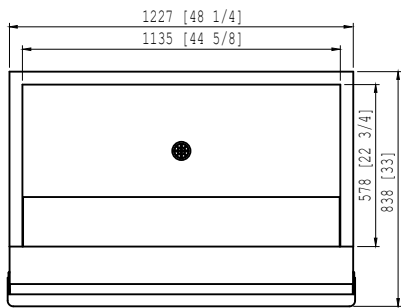
## Designed for stacked ice machine.

Optimizing Ice Production and Storage.

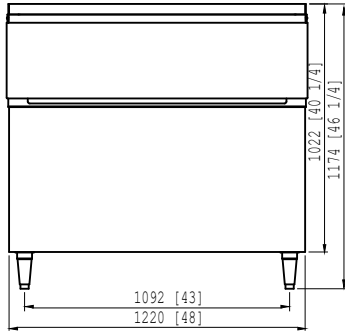
## Standard Features

- 950lb. Storage Capacity
- Foamed-in-place polyurethane insulation, in all bin walls and bottom, provides dependable ice storage.
- Bin is designed to accommodate single or multiple ice machines
- Adapter kits available to satisfy all combinations and models of BlueAir modular ice machines

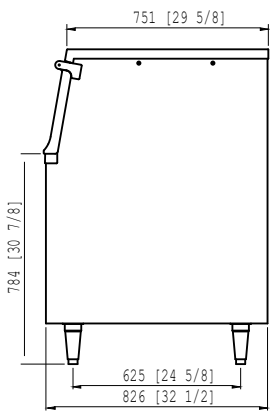
Top view



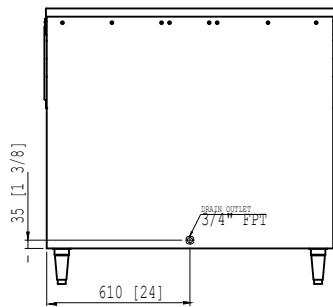
Front view



Side view



Back view



# MODEL BLIB-950S

## ICE BINS

### Exterior Dimensions (inches)

W	D	H
48 1/4"	32 1/2"	46 1/4"

### Interior Dimensions (inches)

W	D	H
43 7/8"	22 7/8"	42"

### Cubic Volume (cu. ft. / liters)

30.07 cu. ft.  
852 L.

### Maximum Storage Capacity (lbs / kg)

802.1 lbs.  
363 kg.

### Shipping Weight (lbs/kg)

305 lbs  
138.35 kg

	BLMI-300A BLMI-500A (22" Width)	BLMI-500AD (30" Width)	BLMI-650A (22" Width)	BLMI-900A (30" Width)	BLMI-1400R (previous BLMI-1400R) (48" Width)
BLIB-300S (22" Width)	Adapter Not Needed	Combination Not Available	Adapter Not Needed	Combination Not Available	Combination Not Available
BLIB-500S (30" Width)	Need IMBK-8S (Enclosed in BLIB-500S for free)	Need IMBK-30R	Need IMBK-8S (Enclosed in BLIB-500S for free)	Adapter Not Needed	Combination Not Available
BLIB-950S (48" Width)	Need IMBK-8S + IMBK18S (Single Stack) Need IMBK-4M (Double Stack)	Combination Not Available	Need IMBK-8S + IMBK18S (Single Stack) Need IMBK-4M (Double Stack)	Need IMBK-18S	Adapter Not Needed

