








BLUELAA



HOT PLATE BLHP36 SIX BURNER



PRODUCT DESCRIPTION

-  28,000 BTU Per Burner. Stainless Steel construction with Ever-Ready Standby pilots.
-  Lift Off 12" x 12" Cast Iron Burner Grates.
-  Independent Manual controls every 12"
-  Cool Touch Stainless Steel Landing ledge.
-  Hot Plates are all Natural Gas (NG) Standard. LP conversion kit is included.
-  Heavy Duty Stainless Steel construction.
-  Full length seamless drip pan, easy to remove and clean.

MODEL#	DIMENSION		
	Width	Depth	Height
BLHP36	36 in	28 3/4 in	12 7/8 in

* All measures are presented in Inches

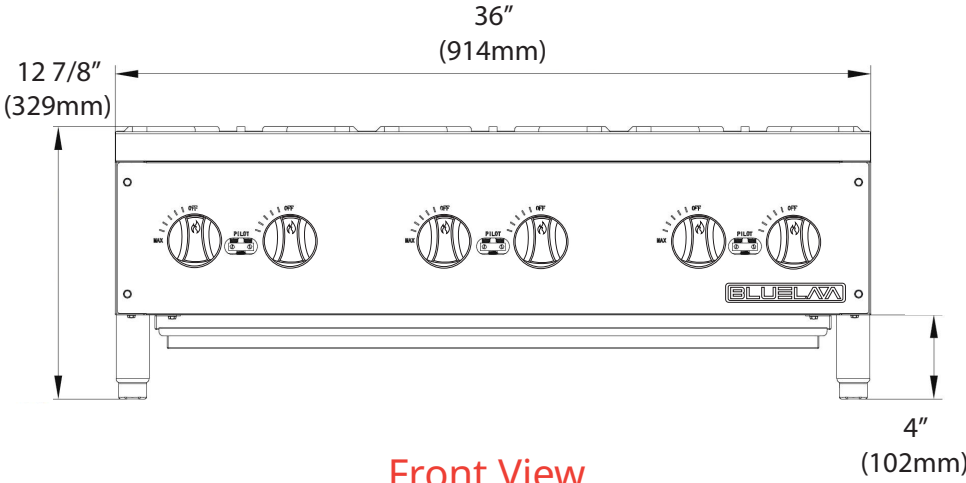


223 W. Rosecrans Ave. Gardena, CA 90248
T : 310.808.0102
F:310.808.0242

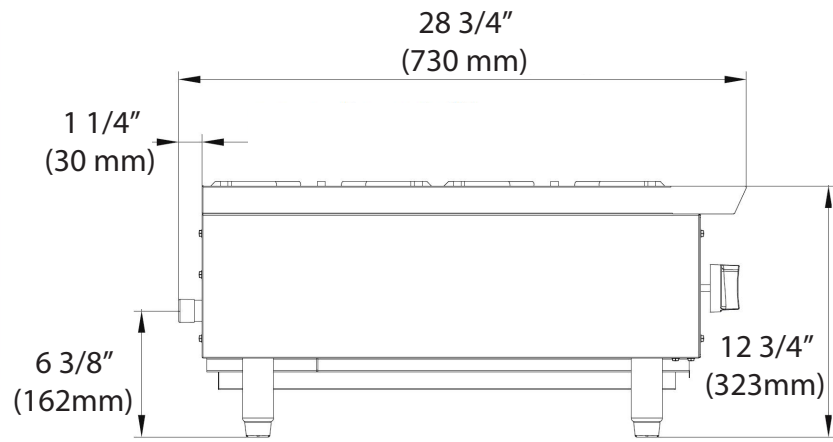
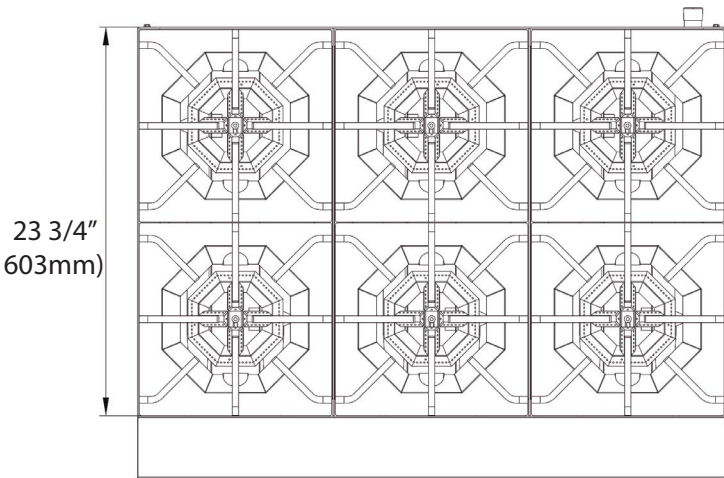
9 W. Shelton Terrace #A Hillside, NJ 07025
T : 908.688.0970
F : 908.688.8143

DETAILS & SPECIFICATIONS

HOT PLATE BLHP36 SIX BURNER



BLHP36	
GAS	NG/Propane
WORK AREA	23.82x23.62in
BURNER	6
BTU/H PER BUNER	28000 BTU/H
TOTAL BTU/H	168,000 BTU/H
GAS PRESSURE	NG: 4 "WC Propane: 10 "WC
NOZZEL	NG: 40# Propane: 52#
CONTAINER FITMENT	150



Model	Packaging Dimensions (inches)			Net Weight (lbs)	Ship Weight (lbs)
	W	D	H		
BLHP36	38 1/4"	32 5/8"	17 3/4"	154 lbs	209 lbs

orders@blueairfse.com



223 W. Rosecrans Ave. Gardena, CA 90248
T: 310.808.0102
F: 310.808.0242

9 W. Shelton Terrace #A Hillside, NJ 07025
T: 908.688.0970
F: 908.688.8143