








# BLUELAA



## HOT PLATE BLHP24 FOUR BURNER



### PRODUCT DESCRIPTION

-  28,000 BTU Per Burner. Stainless Steel construction with Ever-Ready Standby pilots.
-  Lift Off 12" x 12" Cast Iron Burner Grates.
-  Independent Manual controls every 12"
-  Cool Touch Stainless Steel Landing ledge.
-  Hot Plates are all Natural Gas (NG) Standard. LP conversion kit is included.
-  Heavy Duty Stainless Steel construction.
-  Full length seamless drip pan, easy to remove and clean.

| MODEL# | DIMENSION |           |           |
|--------|-----------|-----------|-----------|
|        | Width     | Depth     | Height    |
| BLHP24 | 24 in     | 28 3/4 in | 12 7/8 in |

\* All measures are presented in Inches

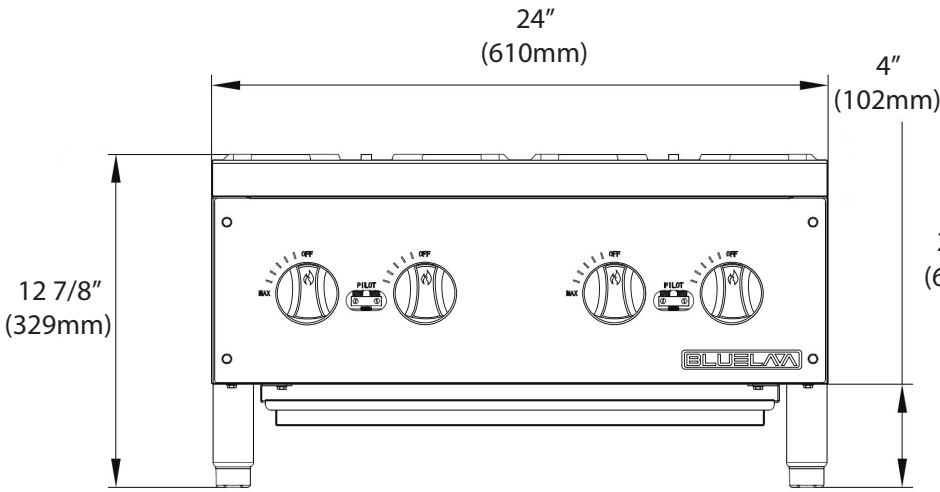


223 W. Rosecrans Ave. Gardena, CA 90248  
T : 310.808.0102  
F:310.808.0242

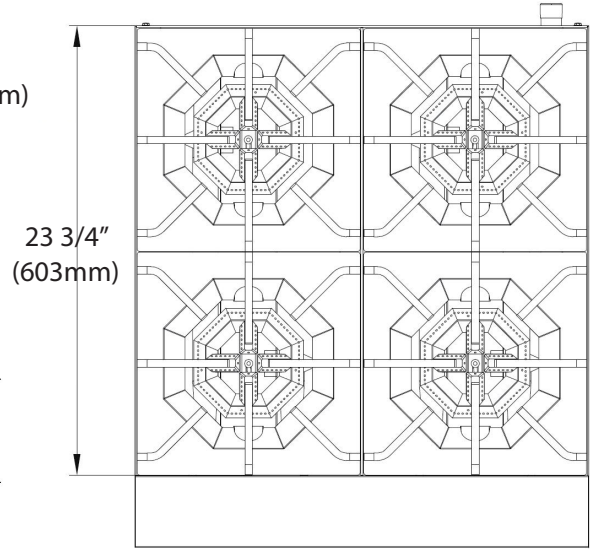
9 W. Shelton Terrace #A Hillside, NJ 07025  
T : 908.688.0970  
F : 908.688.8143

# DETAILS & SPECIFICATIONS

## HOT PLATE BLHP24 FOUR BURNER

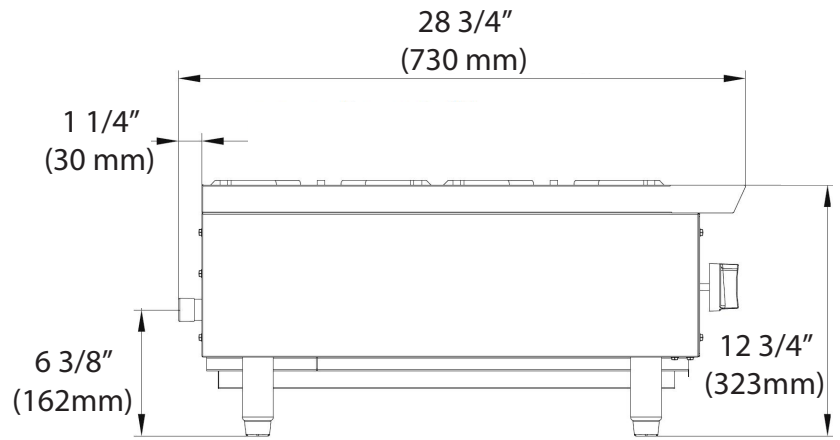


Front View



Top View

| BLHP24            |                              |
|-------------------|------------------------------|
| GAS               | NG/Propane                   |
| WORK AREA         | 23.82x23.62in                |
| BURNER            | 4                            |
| BTU/H PER BUNER   | 28000                        |
| TOTAL BTU/H       | 112000                       |
| GAS PRESSURE      | NG: 4" WC<br>Propane: 10" WC |
| NOZZEL            | NG: 40#<br>Propane: 52#      |
| CONTAINER FITMENT | 255                          |



Side View

| Model  | Packaging Dimensions (inches) |         |         | Net Weight (lbs) | Ship Weight (lbs) |
|--------|-------------------------------|---------|---------|------------------|-------------------|
|        | W                             | D       | H       |                  |                   |
| BLHP24 | 26 1/8"                       | 32 5/8" | 17 3/4" | 110              | 143               |

orders@blueairfse.com



223 W. Rosecrans Ave. Gardena, CA 90248  
T : 310.808.0102  
F:310.808.0242

9 W. Shelton Terrace #A Hillside, NJ 07025  
T : 908.688.0970  
F : 908.688.8143