








BLUELAA



HOT PLATE BLHP12 TWO BURNER

PRODUCT DESCRIPTION



-  28,000 BTU Per Burner. Stainless Steel construction with Ever-Ready Standby pilots.
-  Lift Off 12" x 12" Cast Iron Burner Grates.
-  Independent Manual controls every 12"
-  Cool Touch Stainless Steel Landing ledge.
-  Hot Plates are all Natural Gas (NG) Standard. LP conversion kit is included.
-  Heavy Duty Stainless Steel construction.
-  Full length seamless drip pan, easy to remove and clean.

MODEL#	DIMENSIONS		
	Width	Depth	Height
BLHP12	12 in	28 3/4 in	12 7/8

* All measures are presented in Inches

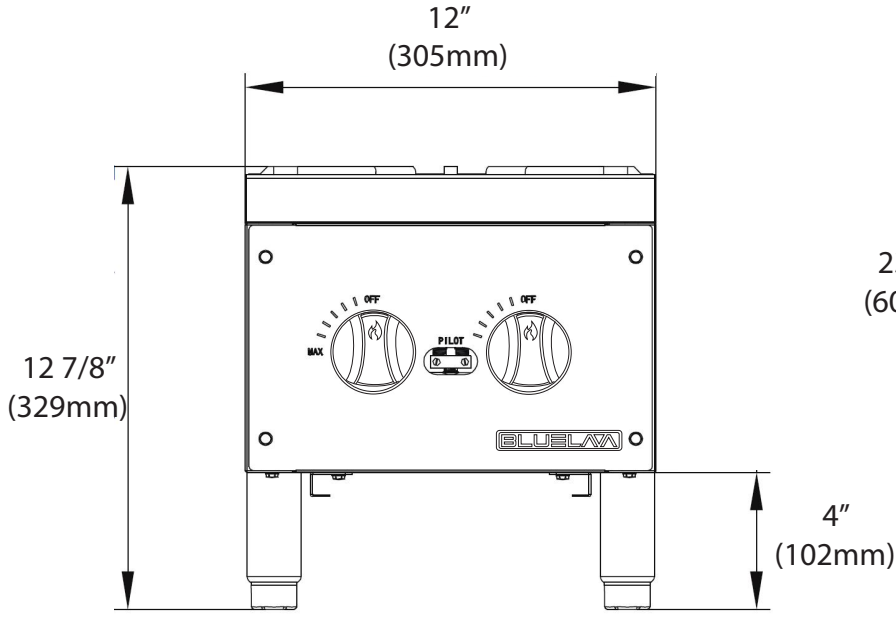


223 W. Rosecrans Ave. Gardena, CA 90248
T : 310.808.0102
F:310.808.0242

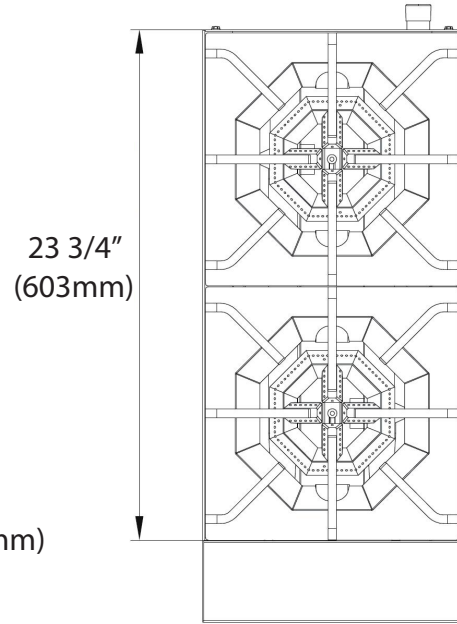
9 W. Shelton Terrace #A Hillside, NJ 07025
T : 908.688.0970
F : 908.688.8143

DETAILS & SPECIFICATIONS

HOT PLATE BLHP12 TWO BURNER

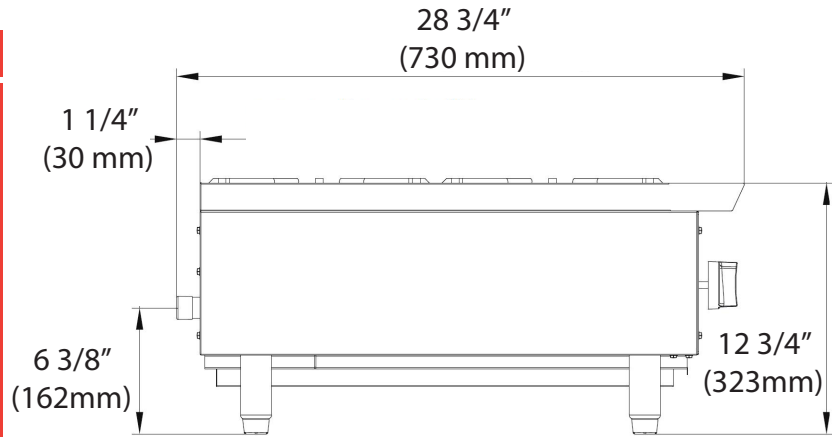


Front View



Top View

BLHP12	
GAS	NG/Propane
WORK AREA	11.81"x23.62"
BURNER	2
BTU/H PER BUNER	28,000
TOTAL BTU/H	56,000
GAS PRESSURE	NG: 4" WC Propane: 10" WC
NOZZEL	NG: 40# Propane: 52#
CONTAINER FITMENT	480



Side View

Model	Packaging Dimensions (inches)			Net Weight (lbs)	Ship Weight (lbs)
	W	D	H		
BLHP12	14 1/8"	32 5/8"	17 3/4"	66	88



orders@blueairfse.com

223 W. Rosecrans Ave. Gardena, CA 90248
T: 310.808.0102
F: 310.808.0242

9 W. Shelton Terrace #A Hillside, NJ 07025
T: 908.688.0970
F: 908.688.8143