

# BLUELAA



## GRIDDLE BLGM24- 20D

### PRODUCT DESCRIPTION



-  30,000 BTU per Burner with Ever-Ready Pilots.
-  30,000 BTU Burners per 12" section with standby pilots.
-  3/4" Stainless Steel Griddle Plate .
-  Adjustable, stainless steel legs standard.
-  Griddles set up as NG standard. LP conversion kits are included with each Griddle.
-  Full length seamless drip pan, easy to remove and clean.
-  High Quality Stainless Steel Construction



MODEL#	DIMENSIONS		
	Width	Depth	Height
BLGM24-20D	24 in	30 in	15 1/4 in

\* All measures are presented in Inches

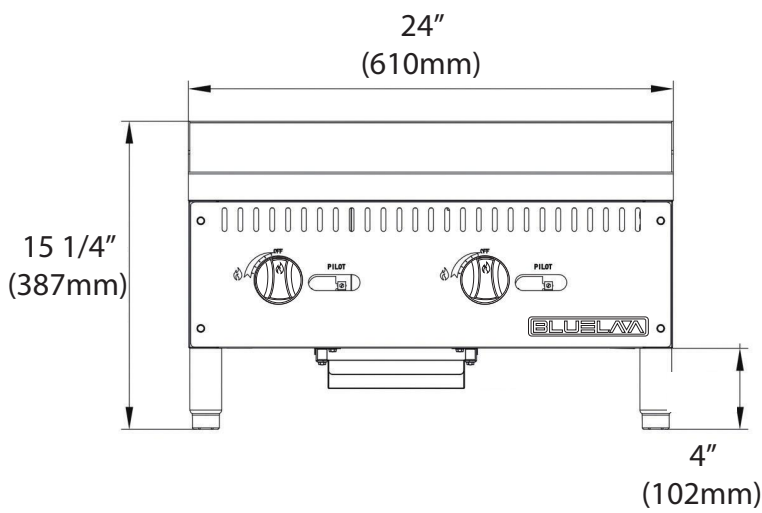


223 W. Rosecrans Ave. Gardena, CA 90248  
T : 310.808.0102  
F:310.808.0242

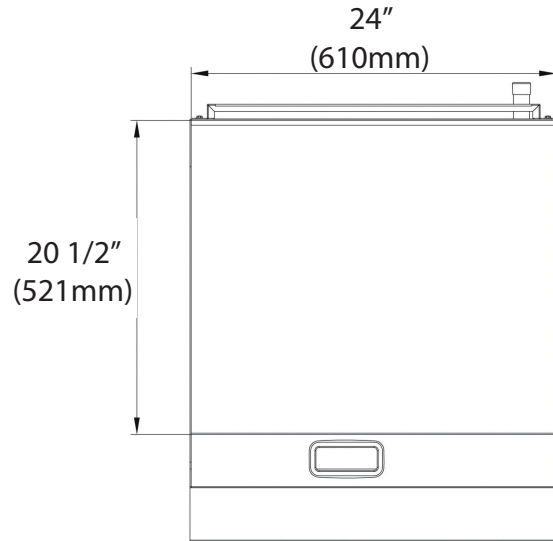
9 W. Shelton Terrace #A Hillside, NJ 07025  
T : 908.688.0970  
F : 908.688.8143

# DETAILS & SPECIFICATIONS

## GRIDDLE BLGM24-20D

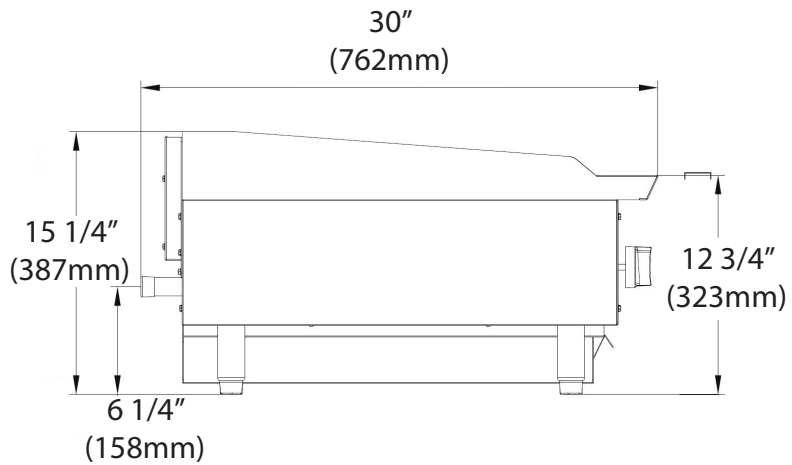


Front View



Top View

BLGM24- 20D	
GAS	NG/Propane
WORK AREA	23.86" x 20.50"
BURNERS	2
BTU PER BURNER	30000
TOTAL BTU	60000
GAS PRESSURE	NG: 4" WC Propane: 10" WC
NOZZLE	NG: 37# Propane: 51#
CONTAINER FITMENT	250



Side View

Model	Packaging Dimensions (inches)			Net Weight (lbs)	Ship Weight (lbs)
	W	D	H		
BLGM24-20D	26 1/8"	32 5/8"	20 1/2"	176	198



orders@blueairfse.com

223 W. Rosecrans Ave. Gardena, CA 90248  
T: 310.808.0102  
F: 310.808.0242

9 W. Shelton Terrace #A Hillside, NJ 07025  
T: 908.688.0970  
F: 908.688.8143