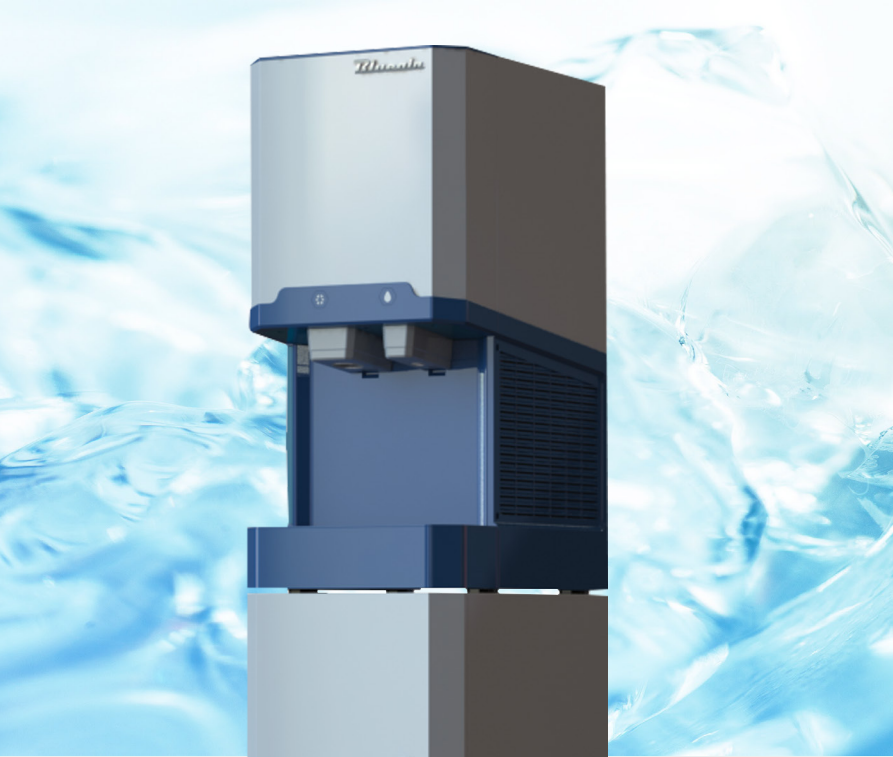


Blueair by BLUENIX

MODEL BLDN-280A COUNTER TOP ICE & WATER DISPENSER



BLDN-280A on BLDS-16-32(Sold separately)



Intertek



Produces up to 282.8 lbs of ice daily

Unit produces individual nugget ice



Durable stainless steel cabinet and evaporator

with removable air filter.



Hydrocarbon refrigerants (R-290)

While safer for the environment our Hydrocarbon machine products are also more energy efficient.



Easy cleaning system

No special tools necessary to navigate our "one touch" cleaning feature.



Valid in the Continental United States

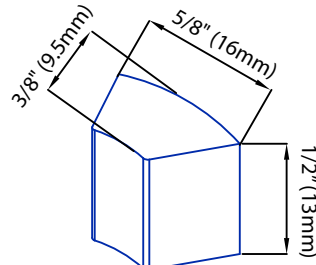
Service

- Digital self diagnostic system
- Panels easily removed and all components accessible for service.
- Removable/cleanable air filters.
- Allow 6" (15cm) clearance at rear, sides, and top for proper air circulation and ease of maintenance/service.
- Auto drain mode to prevent water pollution

Plumbing

- 3/8" water supply line, nominal ID (interior dimension).
- Drain Line: Minimum 3/4" ID hard pipe, PVC, or equivalent
- Maximum time for dispensing ice and water can be adjusted

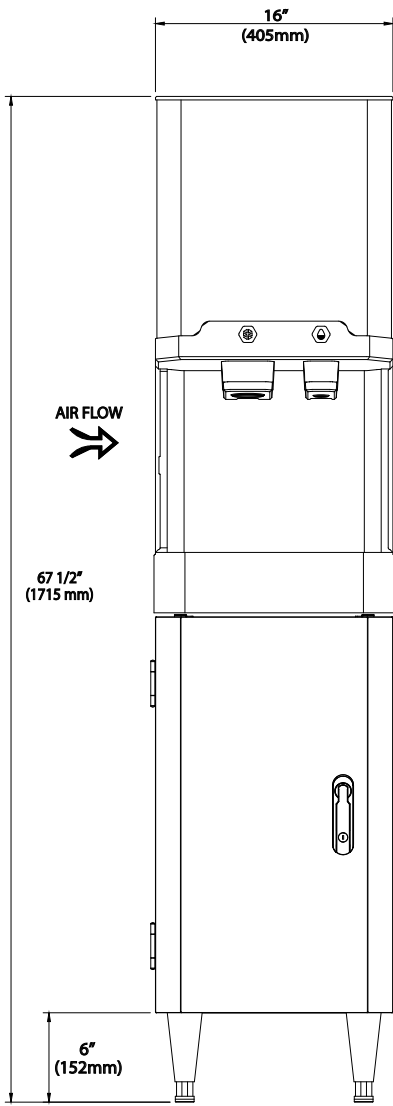
Cube Dimensions



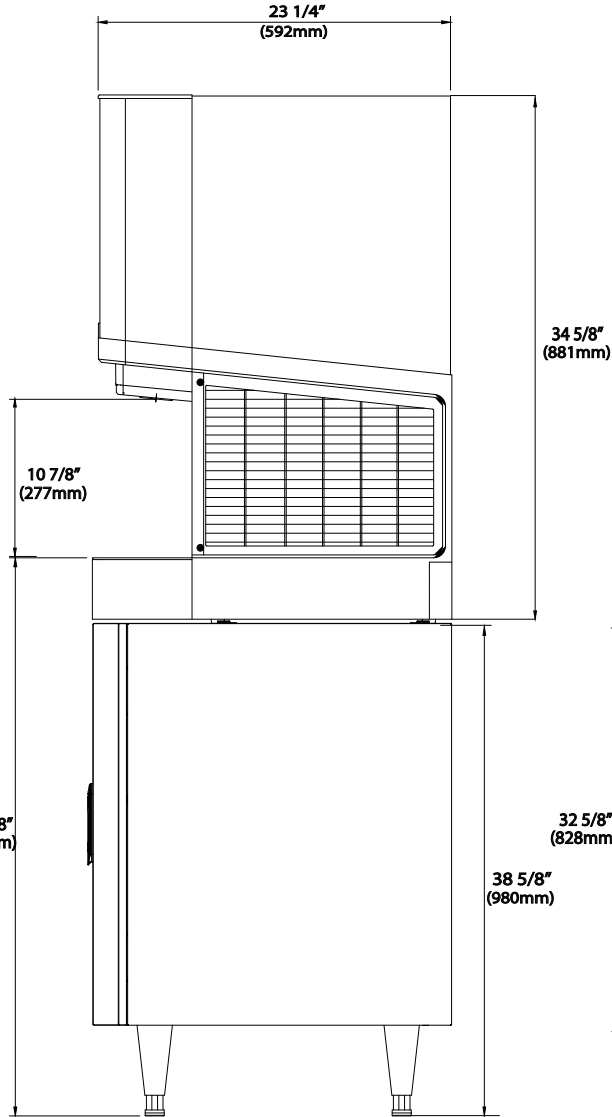
Ice hardness factor : 91.4%

Approximate Size in inches,
image not to scale.

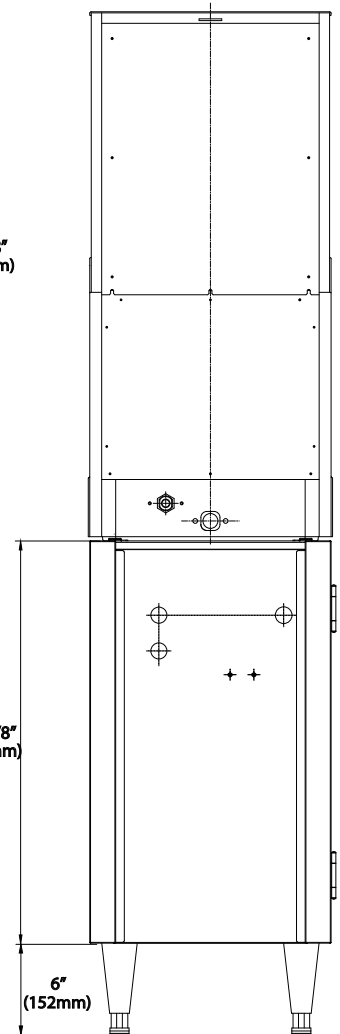
BLDN-280A



Front view



Side view



Back view

Ice Production

Air / Water Temp Lbs. per 24 hrs

70°/50°F	100°/90°F
282.2lbs	200.6lbs

Air 90°F / Water 70°F

Electric consumption per 100 lbs.	Water consumption per 100lbs
4.4 w	12 gal

Condenser | Air-Cooled

Min. Circuit
Amperage | 14

Voltage
V/HZ/PH | 115V/60/1

Shipping
Weight | 161 lbs / 73 kg

Ice Storage | 10 lbs

Connection | 9.8 ft long (3m) flexible three
wire cords with modeled plug

BLUE AIR has right to change specifications without further notice.

Operating Limits

Ambient Temp Range: 45 - 100° F

Water Temp Range: 45 - 95° F

Water Pressure: 10 - 100 PSIG

Voltage Range: 100 - 130V



This product may expose you to chemicals including Diisononyl Phthalate(DINP), which is known to the State of California to cause cancer. For more information go to www.P65Warnings.ca.gov.



blueairfse.com



orders@blueairfse.com



1.886.677.8500



223 W. Rosecrans Ave., CA 90248
T: 310.808.0102

9 W. Shelton Terrace #A, Hillside, NJ 07205
T: 908-688-0970