







BLUELAA

CHARBOILIER

BLCB48

PRODUCT DESCRIPTION

-  35,000 BTU per Burner every 12"
-  Cool-Touch Front Stainless Steel Landing ledge
-  Easy access Full size crumb tray
-  Shipped Standard as Natural Gas, LP conversion Kit included.
-  Easy to remove full width crumb tray.
-  High Quality and durable Stainless Steel design



MODEL#	DIMENSIONS		
	Width	Depth	Height
BLCB48	48 in	28 3/4in	15 3/8in



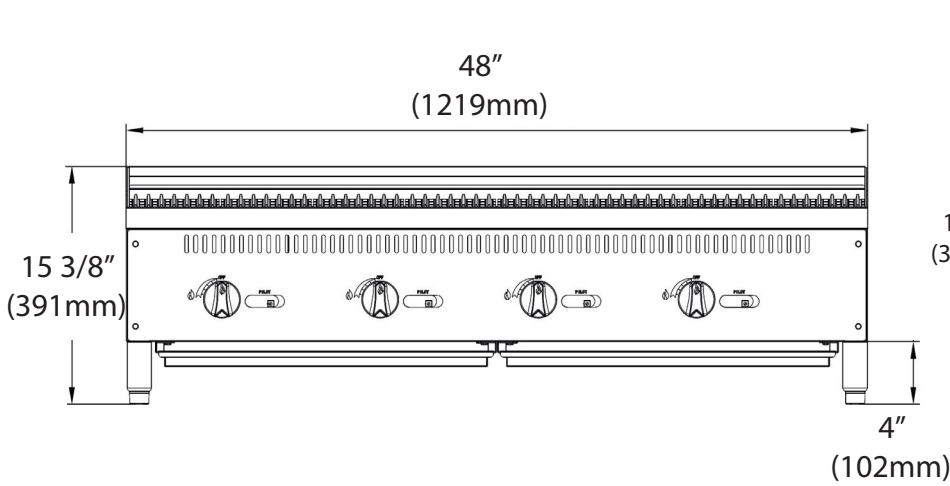
223 W. Rosecrans Ave. Gardena, CA 90248
 T : 310.808.0102
 F:310.808.0242

9 W. Shelton Terrace #A Hillside, NJ 07025
 T : 908.688.0970
 F : 908.688.8143

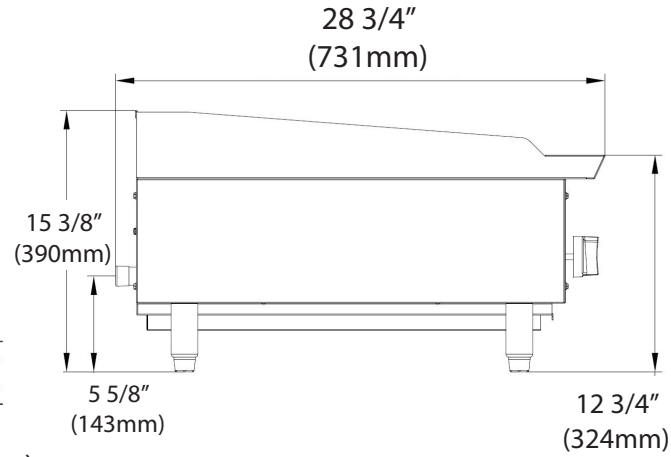
* All measures are presented in Inches

DETAILS & SPECIFICATIONS

CHARBOLIER BLCB48

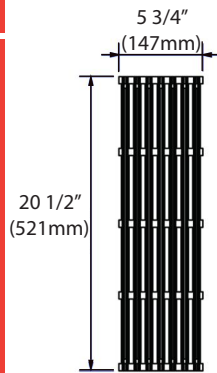


Front View

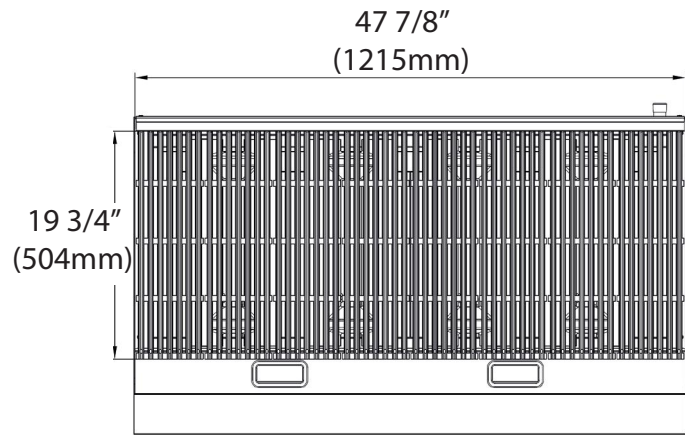


Side View

BLCB36	
GAS	NG/Propane
WORK AREA	23.86x20.47in
BURNER	4
BTU/H PER BURNER	35,000
TOTAL BTU/H	140,000
GAS PRESSURE	NG: 4 "WC Propane: 10 "WC
NOZZEL	NG: 34# Propane: 49#
CONTAINER FITMENT	115



Racks



Top View

Model	Packaging Dimensions (inches)			Net Weight (lbs)	Ship Weight (lbs)
	W	D	H		
BLCB48	50 1/4"	32 5/8"	20 1/2"	229	267