

Blueair by
BLUENIX

MODEL BAPP93-D4LR-HC PIZZA PREP TABLES



Stainless steel cabinet construction

Stainless steel interior and exterior (galvanized steel back & bottom).



Temperature range between 33°F ~ 39°F

Air guard on rear wall ensures proper air circulation and cooling.



Hydrocarbon refrigerants (R-290)

Increases energy HFC refrigerants. It is safer for the environment and does not cause ozone depletion.



Exterior Dimensions (inches/mm)

L	D	H
93 1/4"	32 3/4"	37"
2370 mm	831 mm	939 mm

Weight (lbs/kg)

Net Weight	Ship Weight
496 lbs	536 lbs
224 kg	243 kg

* Depth does not include 3 3/4" for cutting board
* Height does not include 5" (127 mm) for casters



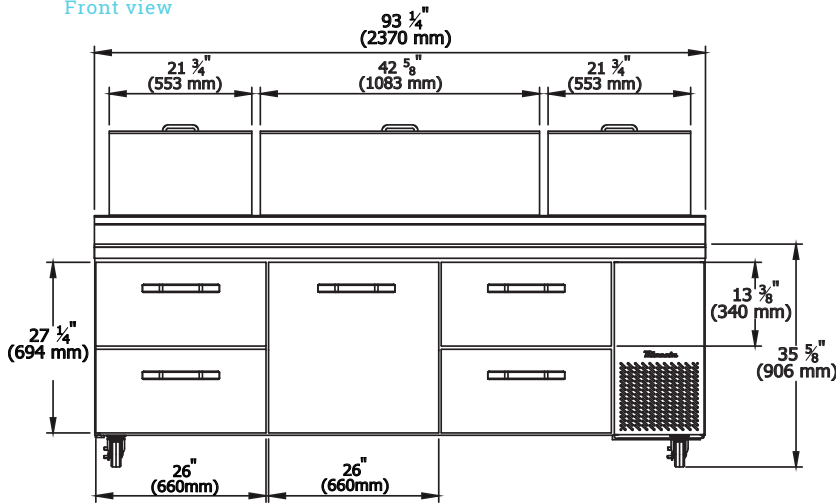
Cabinet construction

- High density foamed in place polyurethane insulation – Environmentally safe.
- Drop-in section : Fans force cold air into this enclosed area keeping stored food items consistently cold
- Insulated pan cover with a stainless steel divider which prevents food spillage into the storage area beneath
- Unit accommodates standard 4" or 6" deep pans (pans are not included)
- Epoxy coated wire shelves with adjustable shelving height.
- Side rail cutting board bracket with 19" deep, 1/2" thick cutting board included
- Six (6) 4" diameter swivel casters with front brakes standard.

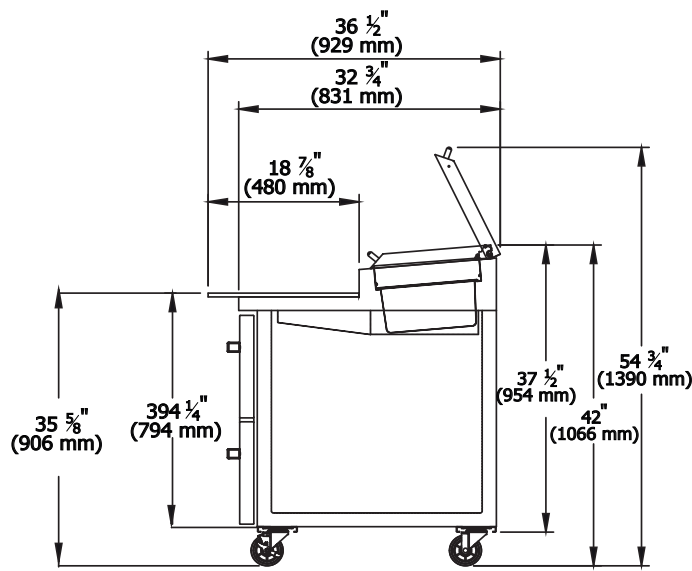
Refrigeration

- Front breathing, side mounted compressor unit.
- Compressor configuration allows unit to be efficient in narrow spaces and be serviced without being moved.
- Epoxy coated evaporator reduces potential corrosion
- Refrigerators have a temperature range between 33°F ~ 39°F

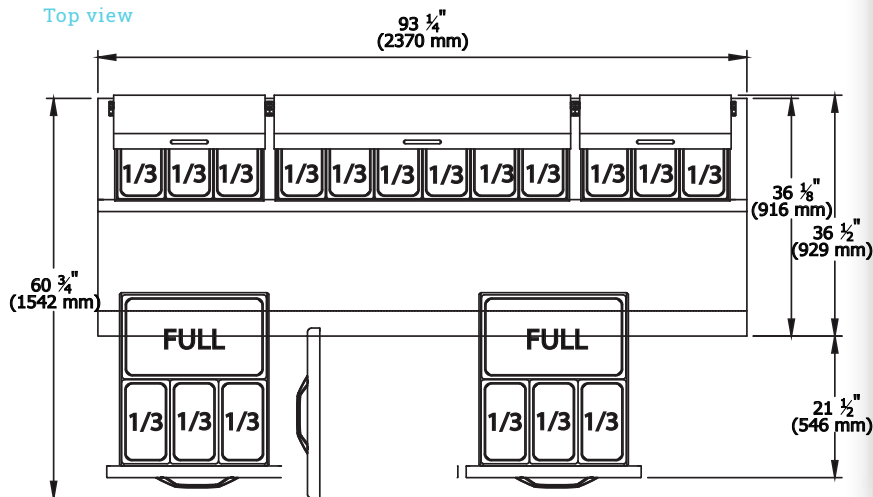
Front view



Side view



Top view



- This product may expose you to chemicals including Diisononyl Phthalate(DINP), which is known to the State of California to cause cancer. For more information go to www.P65Warnings.ca.gov.
 - Ce produit peut vous exposer à des agents chimiques incluant le Diisononyl Phthalate(DINP), reconnu par l'Etat de Californie comme causant le cancer. Pour de plus amples renseignements, consulter le site www.P65Warnings.ca.gov.

Doors

- Self-closing doors
- Durable door gasket with easy replacement.
- Lifetime guaranteed heavy duty all metal door handles. (Ni-Cr Plated)
- Door designed to open easily.

Optional Features & Accessories

- 2.5" diameter casters available
- 6" adjustable legs available.
- Additional shelves are available.

Door	1
Drawer	4
Capacity Cu.Ft.	30.8
Shelves	2
Refrigerant	R-290
Temperature Range	33°F ~ 39°F
Easy Maintenance	Sliding Condensing Unit
Connection	9.8 ft long (3m) flexible three wire cord with modeled plug
HP	3/8
Voltage	115V/60Hz
Amps	3.5
NEMA Config.	NEMA 5-15

Blueair by
BLUENIX

Blue Air has right to change specifications without further notice.



blueairfse.com



orders@blueairfse.com



223 W. Rosecrans Ave., CA 90248
 T: 310-808-0102

9 W. Shelton Terrace #A, Hillside, NJ 07205
 T: 470-625-0182

7025 Amwiler industrial Drive, Suite A, Atlanta GA
 T: 908-688-0970