



Hard Maple Flat Top Work Tables

Stainless Steel Work Tables



Use your smart phone to scan the above QR code to visit our website:
www.bk-resources.com

Certifications:



Features:

- 1 3/4" Thick Hard Maple Flat Top
- Penetrating Oil Finish
- 34 3/4" Height
- 96" Tables Have 6 Legs
- 1 Year Warranty

Options:

- Single & Double Overshelves
- Drawer Assemblies
- Casters
- Upgraded Bullet Feet
- Adjustable Table Mount Pot Rack

Material:

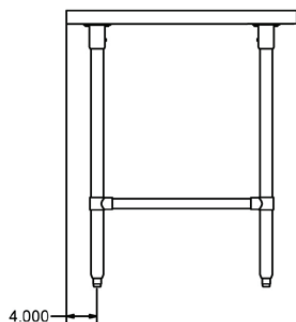
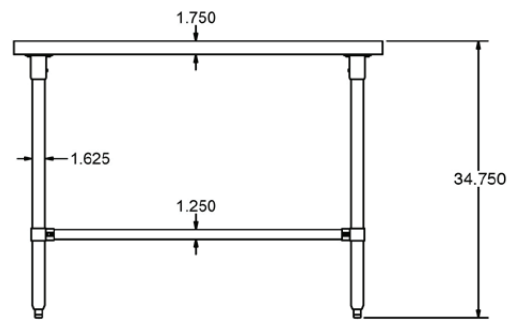
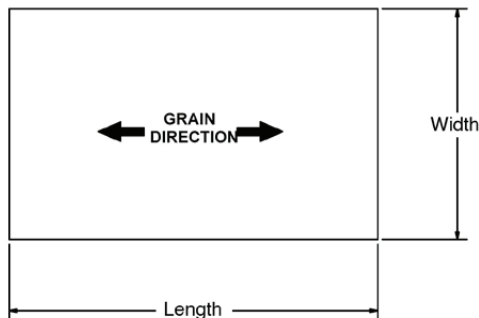
MFTGOB Series: Galvanized Legs

- 1 3/4" Thick Hard Maple Flat Top
- Galvanized Legs
- Adjustable High Impact Corrosion Resistant Feet

MFTSOB Series: Stainless Steel Legs

- 1 3/4" Thick Hard Maple Flat Top
- Stainless Steel Legs
- Adjustable Stainless Steel Feet

| MFTGOB Series Galvanized Legs | | | MFTSOB Series Stainless Steel Legs | |
|----------------------------------|-------------|-------------|---------------------------------------|-------------|
| Length | 30" Width | 36" Width | 30" Width | 36" Width |
| 48" | MFTGOB-4830 | MFTGOB-4836 | MFTSOB-4830 | MFTSOB-4836 |
| 60" | MFTGOB-6030 | MFTGOB-6036 | MFTSOB-6030 | MFTSOB-6036 |
| 72" | MFTGOB-7230 | MFTGOB-7236 | MFTSOB-7230 | MFTSOB-7236 |
| 96" | MFTGOB-9630 | MFTGOB-9636 | MFTSOB-9630 | MFTSOB-9636 |



| Replacement Tops Only | | | |
|-----------------------|---------------|----------|---------------|
| Part # | Size: (l x w) | Part # | Size: (l x w) |
| MFT-4830 | 48" x 30" | MFT-4836 | 48" x 36" |
| MFT-6030 | 60" x 30" | MFT-6036 | 60" x 36" |
| MFT-7230 | 72" x 30" | MFT-7236 | 72" x 36" |
| MFT-9630 | 96" x 30" | MFT-9636 | 96" x 36" |

PRODUCT DATA SHEET

BK RESOURCES

