



Hard Maple Flat Top Work Tables

Stainless Steel Work Tables



Use your smart phone to scan the above QR code to visit our website:
www.bk-resources.com

Certifications:



Features:

- 1 3/4" Thick Hard Maple Flat Top
- Penetrating Oil Finish
- 34 3/4" Height
- 96" Tables Have 6 Legs
- 1 Year Warranty

Options:

- Single & Double Overshelves
- Drawer Assemblies
- Casters
- Upgraded Bullet Feet
- Extra Shelves
- Adjustable Table Mount Pot Rack

Material:

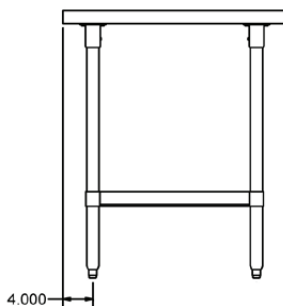
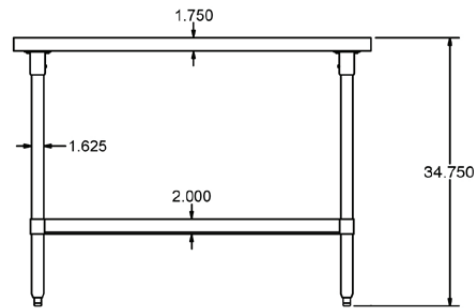
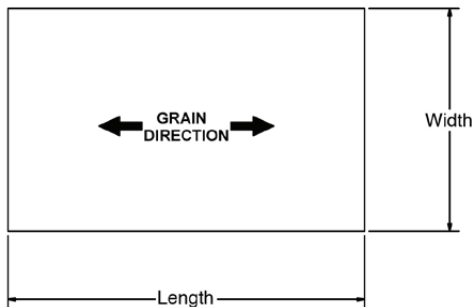
MFTG Series: Galvanized Legs & Undershelf

- 1 3/4" Thick Hard Maple Flat Top
- Galvanized Legs & Adjustable Undershelf
- Adjustable High Impact Corrosion Resistant Feet

MFTS Series: Stainless Steel Legs & Undershelf

- 1 3/4" Thick Hard Maple Flat Top
- Stainless Steel Legs & Adjustable Undershelf
- Adjustable Stainless Steel Feet

MFTG Series			MFTS Series	
Galv. Legs & Undershelf			S/S Legs & Undershelf	
Length	30" Width	36" Width	30" Width	36" Width
48"	MFTG-4830	MFTG-4836	MFTS-4830	MFTS-4836
60"	MFTG-6030	MFTG-6036	MFTS-6030	MFTS-6036
72"	MFTG-7230	MFTG-7236	MFTS-7230	MFTS-7236
96"	MFTG-9630	MFTG-9636	MFTS-9630	MFTS-9636



Replacement Tops Only			
Part #	Size: (l x w)	Part #	Size: (l x w)
MFT-4830	48" x 30"	MFT-4836	48" x 36"
MFT-6030	60" x 30"	MFT-6036	60" x 36"
MFT-7230	72" x 30"	MFT-7236	72" x 36"
MFT-9630	96" x 30"	MFT-9636	96" x 36"

PRODUCT DATA SHEET

BK RESOURCES

