



BEVERAGE-AIR

Project: _____	AIA#
Item: _____	
Location: _____	SIS#
Approved: _____	

GF24HC Bar Equipment: Glass and Plate Froster Series

GF BAR EQUIPMENT

GF24HC Glass and Plate Froster Hydrocarbon Series

MODELS:
GF24HC-B
GF24HC-S



3 Year Parts/Labor Warranty
Additional 4 Year Compressor Warranty

CABINET CONSTRUCTION

- Exterior is available in wear resistant vinyl on steel in black finish or stainless steel
- Interior construction utilizes galvanized steel
- Top includes easy glide, stainless steel lids and stainless steel counter top with edge
- Two (2) shelves and bottom rack standard
- Two (2) shelf ledges standard with three (3) mounting points
- Flexibility in design provides for plate storage and chilling
- Automatic defrost of coil is standard
- Built-in condensate evaporator system
- No floor drain or additional plumbing is needed

OPTIONS & ACCESSORIES

- Stainless steel interior
- Locks
- Remote option*
(refrigerant must be specified at time of order, see note on back on page)

REFRIGERATION SYSTEM

- Uses environmentally friendly, energy efficient R290 refrigerant, and meets all regulatory requirements for CARB, SNAP, DOE & more
- Adaptive defrost
- Epoxy coated evaporator coil
- Chills glasses and plates at -10°F




Please verify qualifying units by visiting:
www.energystar.gov/cfs

3779 Champion Blvd., Winston-Salem, NC 27105
1-888-845-9800 Fax: 1-336-245-6453
Beverage-Air.com Sales@bevair.com

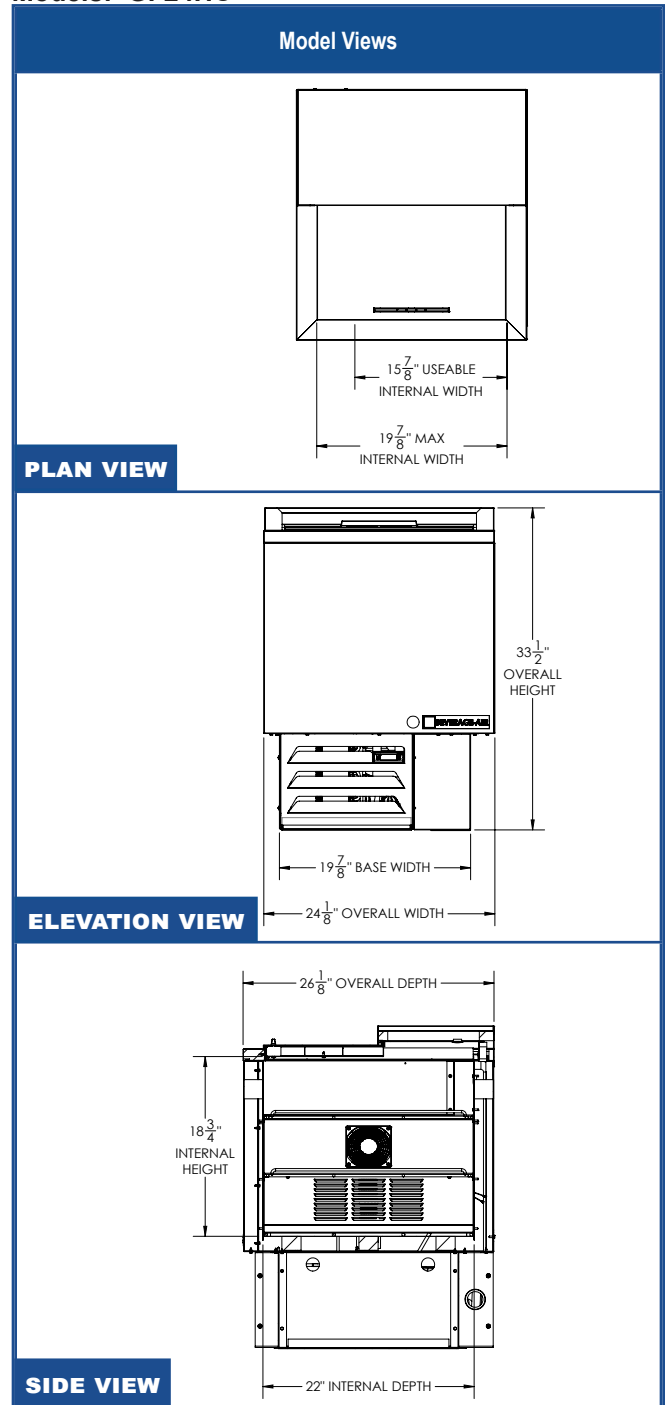


BEVERAGE-AIR

MODEL	GF24HC
EXTERNAL DIMENSIONAL DATA	
Width Overall	24 ¹ / ₈ "
Depth Overall	26 ¹ / ₈ "
Height Overall	33 ¹ / ₂ "
Number of Lids	1
INTERNAL DIMENSIONAL DATA	
NET Capacity (cubic ft.)	4.0
Internal Useable Width Overall (in)	15 ⁷ / ₈ "
Internal Depth Overall (in)	22"
Internal Height Overall (in)	18 ³ / ₄ "
Number of Shelves	2
ELECTRICAL DATA	
Full Load Amperes	3.5
REFRIGERATION DATA	
Horsepower*	1/2
Capacity (BTU/Hr)*	1624
SHIPPING DATA	
Gross Weight - Crated	186 lbs
Height - Crated	38"
Width - Crated	30"
Depth - Crated	27"

*NOTE: Remote units are field wired and come with 6" legs.
Refrigerant must be specified at time of order.

Bar Equipment - Glass Froster Models: GF24HC



*ELECTRICAL CONNECTION



115/60/1
NEMA 5-15P

Units pre-wired at factory and include 8' long cord and plug set.



3779 Champion Blvd., Winston-Salem, NC 27105 1-888-845-9800 Fax: 1-336-245-6453 Beverage-Air.com Sales@bevoir.com

an Ali Group Company



The Spirit of Excellence